

Parts Catalogue

for model
TU 102 Hydro

- Use GLOBAL GARDEN PRODUCT Genuine Spare Parts specified in the parts list for repair and/or replacement.
- The contents described in the parts list may change due to improvement.
- The drawings of the spare parts are only indicative and might not represent the part in question exactly.
- The indications "right" - "left" - "front" - "rear" refer to the position of the operator when using the machine.
- When placing orders of parts for repair and/or replacement, make sure that the illustrated parts list is the one applying to the machine's year of manufacture, as shown on the identification plate attached to the machine.

© Copyright 2015 Global Garden Products

All content is subject to copyright by Global Garden Products and may not be reproduced in whole or in part by any means, electronic or otherwise, without prior written approval.

THIS INFORMATION IS NOT INTENDED FOR SALE OR RESALE, AND THIS NOTICE MUST REMAIN ON ALL COPIES.



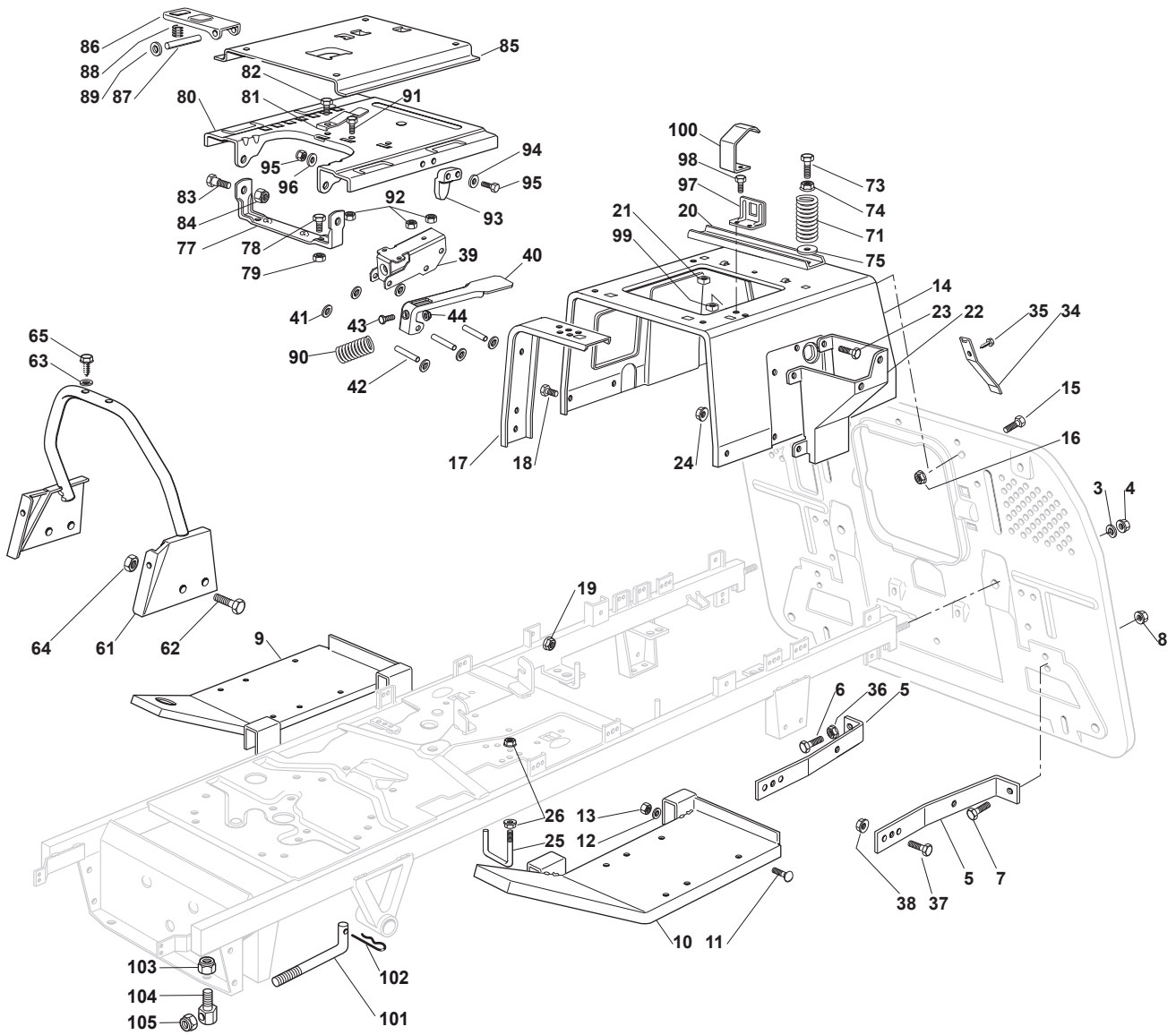


Fig.	Quantity	Part No	Description	Notes
3	2	112585100/0	Washer	
4	2	112295200/0	Nut	
5	2	325774273/1	Stiffening	
6	1	112691100/0	Screw	
7	3	112793102/0	Screw	
8	4	112293201/0	Nut	
9	1	382510041/2	Right Footboard Support	
10	1	382510043/2	Left Footboard Support	
11	4	112815245/0	Screw	
12	4	112523040/0	Washer	
13	4	112154510/0	Nut	
14	1	325785133/5	Seat Support	
15	5	112791011/0	Screw	
16	5	112292102/0	Nut	
17	2	325650065/0	Stiffening	
18	6	112791011/0	Screw	
19	6	112292102/0	Nut	
20	1	325650067/0	Stiffening	
21	2	112360420/0	Nut	
22	1	325785137/1	Support	
23	4	112791011/0	Screw	
24	4	112292102/0	Nut	
25	1	125580019/0	Belt Guide Peg	
26	2	112292102/0	Nut	
34	1	125430238/1	Spring	
35	1	112731580/0	Screw	
36	1	112293200/0	Nut	
37	2	112793102/0	Screw	
38	2	112293201/0	Nut	
39	1	325774575/0	Fulcrum Clamp	
40	1	325318327/0	Lever	
41	6	112604896/0	Crown Fastener	
42	3	122517866/0	Pin	
43	1	112735661/0	Screw	
44	1	112154510/0	Nut	
61	1	382650045/0	Chassis	
62	4	112792611/0	Screw	
63	2	112521330/0	Washer	
64	4	112292102/0	Nut	
65	2	112731350/0	Screw	
71	2	125430257/1	Spring	
73	2	125943001/1	Screw	
74	2	112293201/0	Nut	
75	2	112523070/0	Washer	
77	1	382774207/0	Seat Clamp Support	
78	2	112792611/0	Screw	
79	2	112293201/0	Nut	
80	1	325785149/3	Fixed Seat Support	
81	1	125430203/1	Spring	
82	1	112731580/0	Screw	
83	2	122524970/2	Fulcrum Pin	

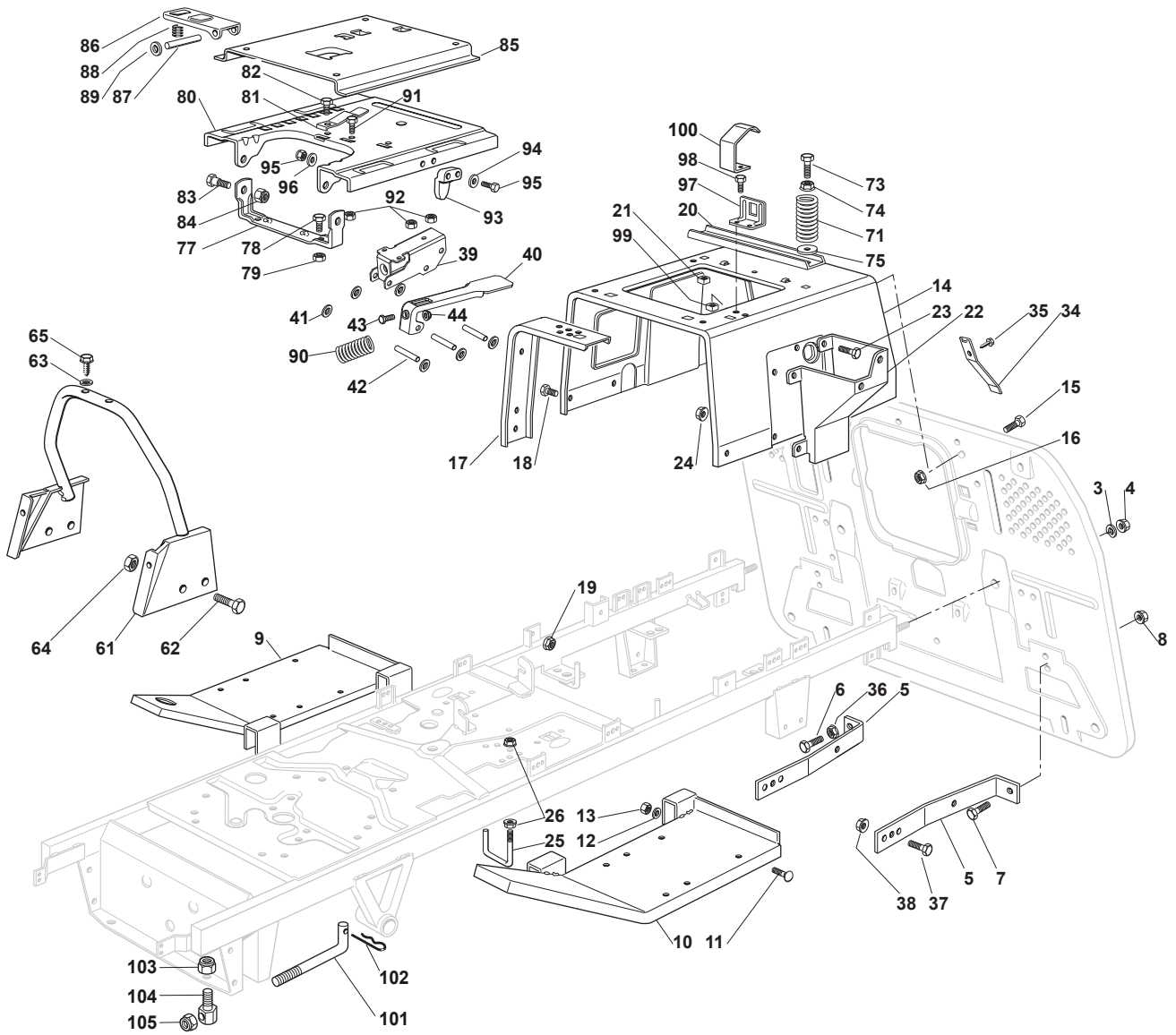


Fig.	Quantity	Part No	Description	Notes
84	2	112155010/0	Nut	
85	1	325785147/2	Seat Support	
86	1	325318109/1	Stop Lever	
87	1	125510000/0	Pin	
88	1	125430202/1	Spring	
89	2	112604897/0	Elastic Washer	
90	1	125430285/0	Spring	
91	1	112789000/0	Screw	
92	1	112154330/0	Nut	
93	1	325060049/0	Seat Switch Cam	
94	2	112815050/0	Screw	
95	4	112521320/0	Washer	
96	2	112154330/0	Nut	
97	1	325755025/1	Bracket	
98	2	112735110/0	Screw	
99	2	112437502/0	Plate	
100	1	325430255/0	Spring	
101	2	125510119/0	Tie Rod	
102	2	124487997/0	Cotter Pin	
103	2	125510040/1	Pin	
104	2	112155000/0	Nut	
105	2	112155000/0	Nut	

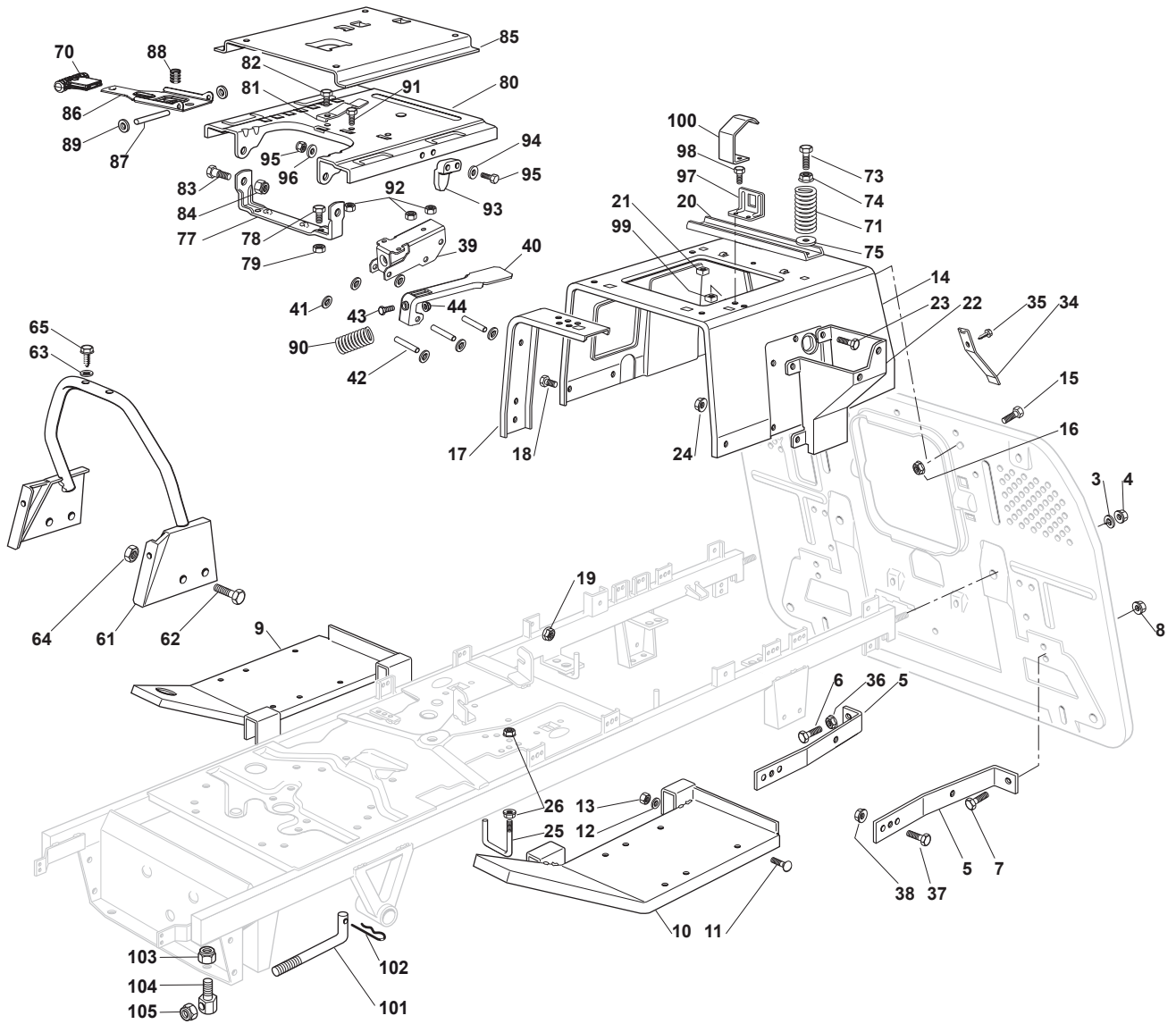


Fig.	Quantity	Part No	Description	Notes
3	2	112585100/0	Washer	
4	2	112295200/0	Nut	
5	2	325774273/1	Stiffening	
6	1	112691100/0	Screw	
7	3	112793102/0	Screw	
8	4	112293201/0	Nut	
9	1	382510041/2	Right Footboard Support	
10	1	382510043/2	Left Footboard Support	
11	4	112815245/0	Screw	
12	4	112523040/0	Washer	
13	4	112154510/0	Nut	
14	1	325785133/5	Seat Support	
15	5	112791011/0	Screw	
16	5	112292102/0	Nut	
17	2	325650065/0	Stiffening	
18	6	112791011/0	Screw	
19	6	112292102/0	Nut	
20	1	325650067/0	Stiffening	
21	2	112360420/0	Nut	
22	1	325785137/1	Support	
23	4	112791011/0	Screw	
24	4	112292102/0	Nut	
25	1	125580019/0	Belt Guide Peg	
26	2	112292102/0	Nut	
34	1	125430238/1	Spring	
35	1	112731580/0	Screw	
36	1	112293200/0	Nut	
37	2	112793102/0	Screw	
38	2	112293201/0	Nut	
39	1	325774575/0	Fulcrum Clamp	
40	1	325318327/0	Lever	
41	6	112604896/0	Crown Fastener	
42	3	122517866/0	Pin	
43	1	112735661/0	Screw	
44	1	112154510/0	Nut	
61	1	382650045/0	Chassis	
62	4	112792611/0	Screw	
63	2	112521330/0	Washer	
64	4	112292102/0	Nut	
65	2	112731350/0	Screw	
70	1	322394505/0	Knob	
73	2	125943001/1	Screw	
74	2	112293201/0	Nut	
75	2	112523070/0	Washer	
77	1	382774207/0	Seat Clamp Support	
78	2	112792611/0	Screw	
79	2	112293201/0	Nut	
80	1	325785149/3	Fixed Seat Support	
81	1	125430203/1	Spring	
82	1	112731580/0	Screw	
83	2	122524970/2	Fulcrum Pin	

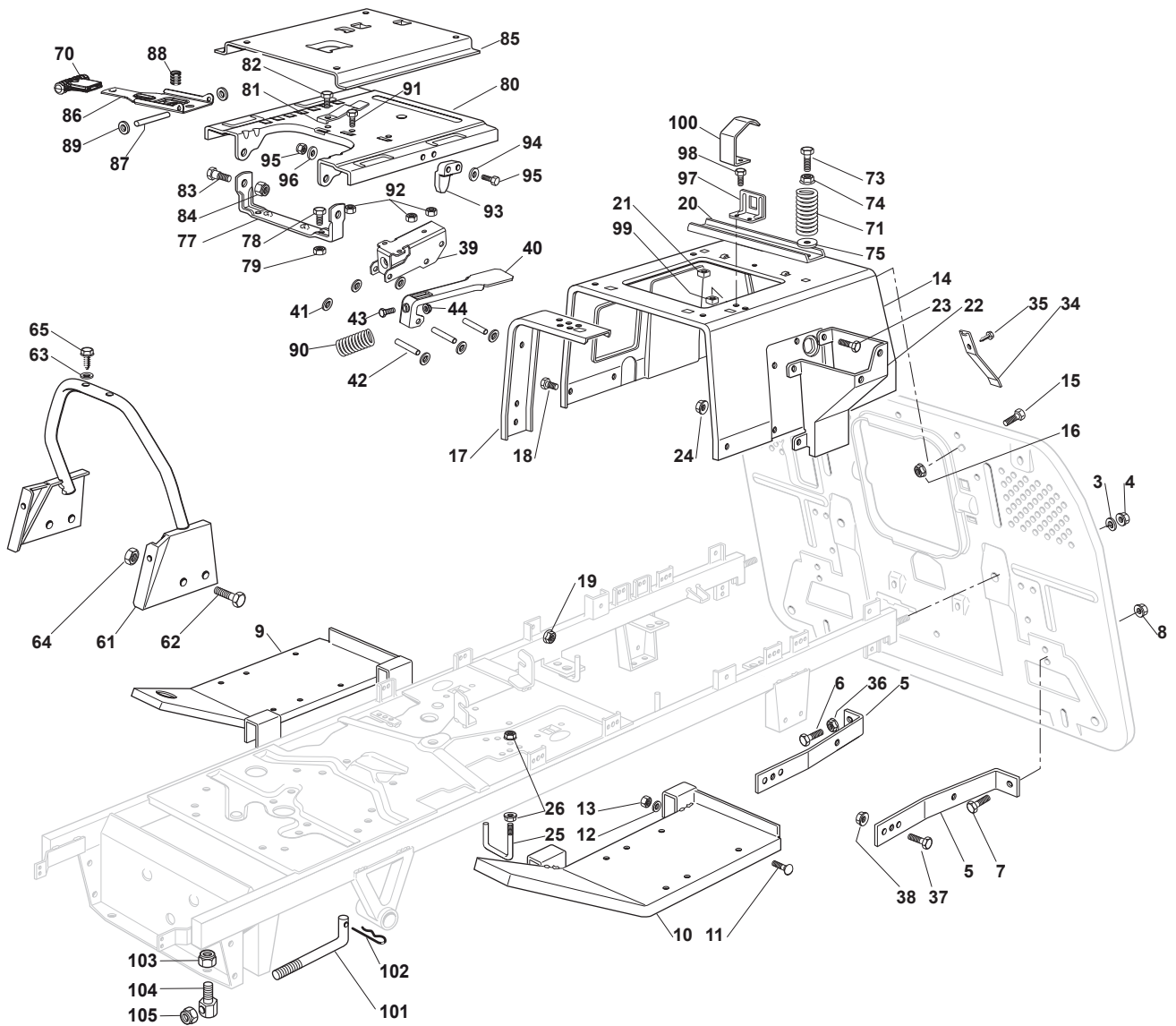


Fig.	Quantity	Part No	Description	Notes
84	2	112155010/0	Nut	
85	1	325785147/2	Seat Support	
86	1	325318303/0	Stop Lever	
87	1	125510000/0	Pin	
88	1	125430202/1	Spring	
89	2	112604897/0	Elastic Washer	
90	1	125430285/0	Spring	
91	1	112789000/0	Screw	
92	1	112154330/0	Nut	
93	1	325060049/0	Seat Switch Cam	
94	2	112815050/0	Screw	
95	4	112521320/0	Washer	
96	2	112154330/0	Nut	
97	1	325755025/1	Bracket	
98	2	112735110/0	Screw	
99	2	112437502/0	Plate	
100	1	325430255/0	Spring	
101	2	125510119/0	Tie Rod	
102	2	124487997/0	Cotter Pin	
103	2	125510040/1	Pin	
104	2	112155000/0	Nut	
105	2	112155000/0	Nut	

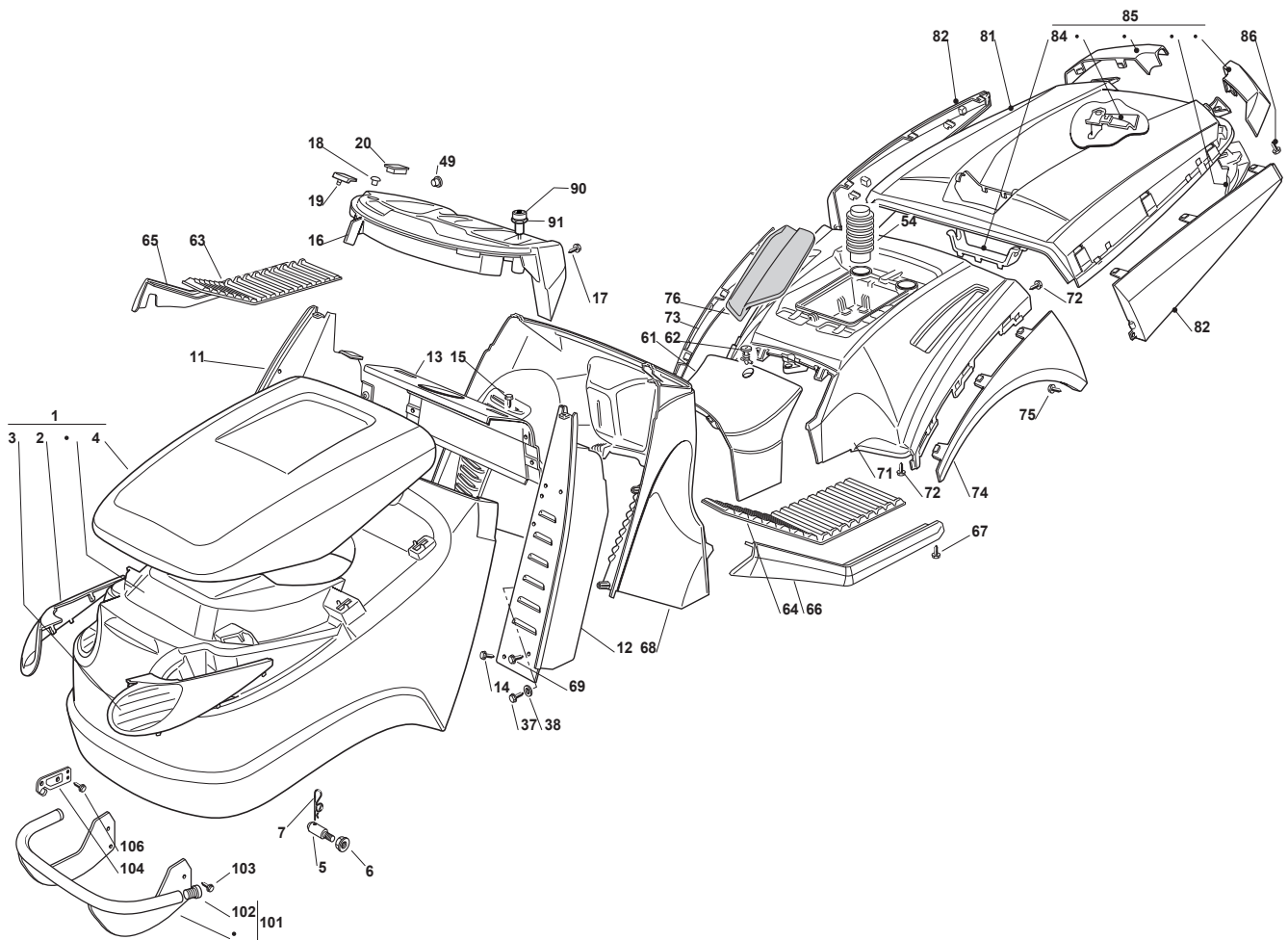


Fig.	Quantity	Part No	Description	Notes
1	1	382076970/1	Engine Hood Green	
2	1	325410891/0	Right Grill	
3	1	325410892/0	Left Grill	
4	1	325076940/0	Upper Engine Hood Green	
5	2	125510068/0	Pin	
6	2	112293201/0	Nut	
7	2	124487998/0	Cotter Pin	
11	1	382785022/9	Right Dashboard Support	
12	1	382785021/8	Left Dashboard Support	
13	1	382785137/0	Central Dashboard Support	
14	2	112735110/0	Screw	
15	4	112735110/0	Screw	
16	1	325120254/0	Dashboard, Black (Cruise Control)	
17	4	112728440/0	Screw	
18	2	125120200/0	Cap	
19	2	125260000/0	Grommet	
20	1	325120234/0	Cap	
37	2	112731350/0	Screw	
38	2	112521330/0	Washer	
49	1	325120233/0	Cap	
54	2	325737002/0	Hood	
61	1	325110450/0	Cover (Hydro) Green	
62	1	125580020/2	Stake	
63	1	325110278/1	Right Footboard Cover	
64	1	325110279/0	Left Footboard Cover	
65	1	325599004/0	Right Profile	
66	1	325599005/0	Left Profil	
67	6	112731580/0	Screw	
68	1	325785229/1	Dashboard Support	
69	7	112735403/0	Screw	
71	1	325109788/0	Green Wheels Cover	
72	4	112735402/0	Screw	
73	1	325109758/0	Right Wheel Cover	
74	1	325109757/0	Left Wheel Cover	
75	2	112728686/0	Screw	
76	1	325207129/0	Cover, Can Holder Tcx Hydro Black	
81	1	325110449/0	Green Grass-Catcher Cover	
82	1	382110254/0	Cover Assy	
84	1	325394009/0	Handle Cover	
85	1	382110258/0	Angles Assy	
86	4	112735403/0	Screw	
90	1	325605003/0	Button	
91	1	325256250/0	Screwed Ring	
101	1	382869025/0	Muffler Protection	
102	2	118737860/0	Cap	
103	4	112734995/0	Screw	
104	2	325547109/2	Plate	
106	4	112731580/0	Screw	

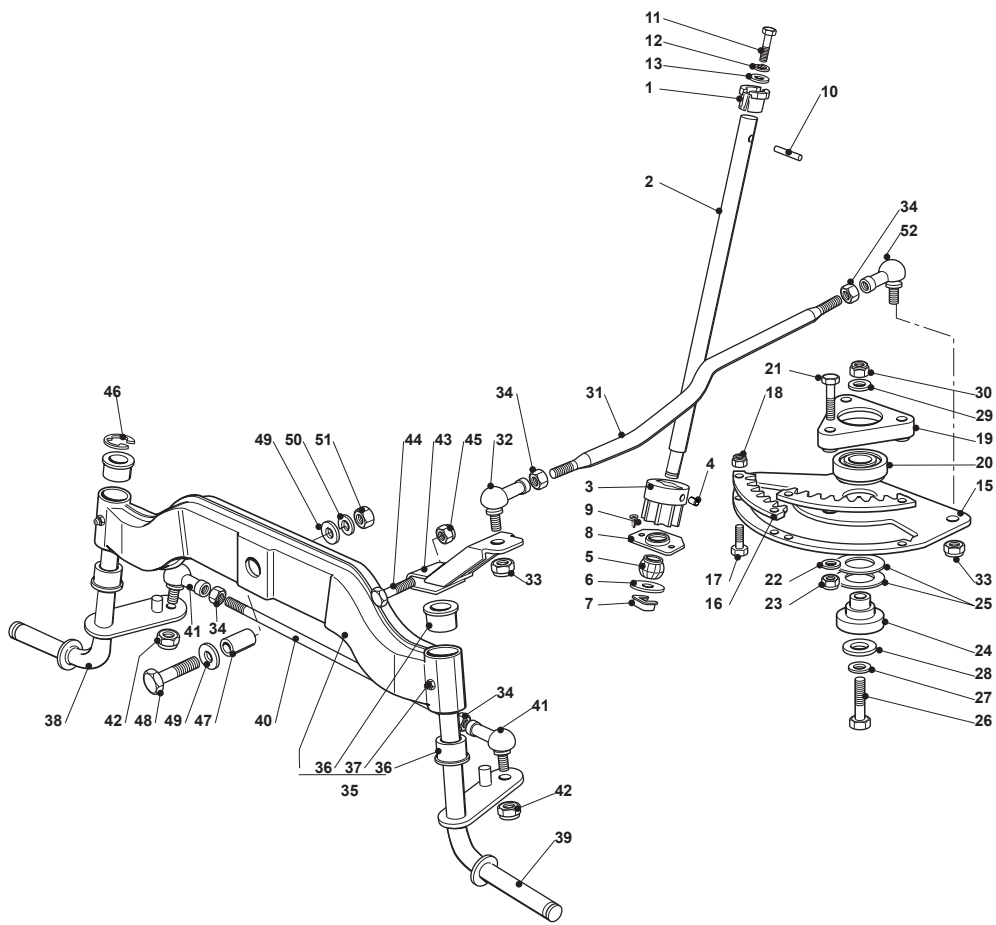
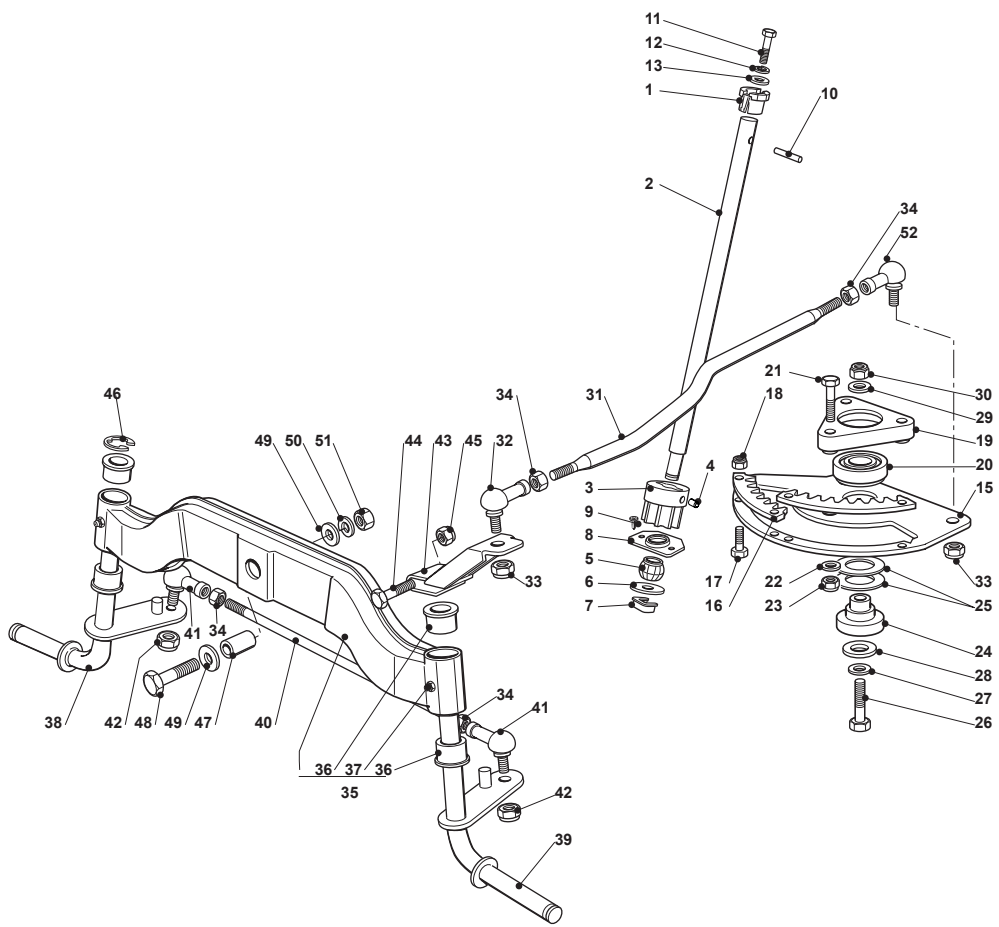


Fig.	Quantity	Part No	Description	Notes
1	1	325038004/0	Bushing	
2	1	125520010/0	Steering Column	
3	1	125570004/0	Pinion	
4	1	112714300/0	Dowel	
5	1	325743000/0	Joint	
6	1	112521370/0	Washer	
7	1	112436030/0	Plate	
8	1	325785213/1	Support	
9	2	112729601/1	Screw	
10	1	112620250/0	Pin	
11	1	112691800/0	Screw	
12	1	112583500/0	Grower	
13	1	112523060/0	Washer	
15	1	325735523/0	Steering Sector	
16	2	325150000/0	Rack	
17	4	112791213/1	Screw	
18	4	112154510/0	Nut	
19	1	325774453/0	Clamp	
20	1	119216047/0	Bearing	
21	3	112691100/0	Screw	
22	3	112523060/0	Washer	
23	3	112155000/0	Nut	
24	1	125510120/0	Support	
25	2	322672153/0	Antifriction Washer	
26	1	112692395/0	Screw	
27	1	112523080/0	Washer	
28	1	112521390/0	Washer	
29	1	112523080/0	Washer	
30	1	112156602/0	Nut	
31	1	125033003/1	Steering Rod	
32	2	122746600/0	Joint	
32	2	122746616/0	Joint	
33	2	122746609/0	Joint	
34	4	112156602/0	Nut	
35	1	382034001/3	Equalizer With Bush And Lubricator	
36	4	125034002/1	Bushing	
37	2	112379511/0	Grease Dispenser	
38	1	382230349/0	Right Stub Axle	
39	1	382230348/0	Left Stub Axle	
40	1	325840001/0	Tie Rod	
41	2	122746616/0	Joint	
42	2	112156602/0	Nut	
43	1	382318101/0	Lever Ass.Y	
44	1	112691700/0	Screw	
45	1	112155000/0	Nut	
46	1	112001000/0	Benzing Ring	
47	1	125160005/0	Spacer	
48	1	112694100/0	Screw	
49	2	112521390/0	Washer	
50	1	112587900/0	Grower	
51	1	112295800/0	Nut	



TU 102 HYDRO

Ride-on 102-122 Steering - 13"

Issue 10 - 2015

Fig.	Quantity	Part No	Description	Notes
52	2	122746616/0	Joint	

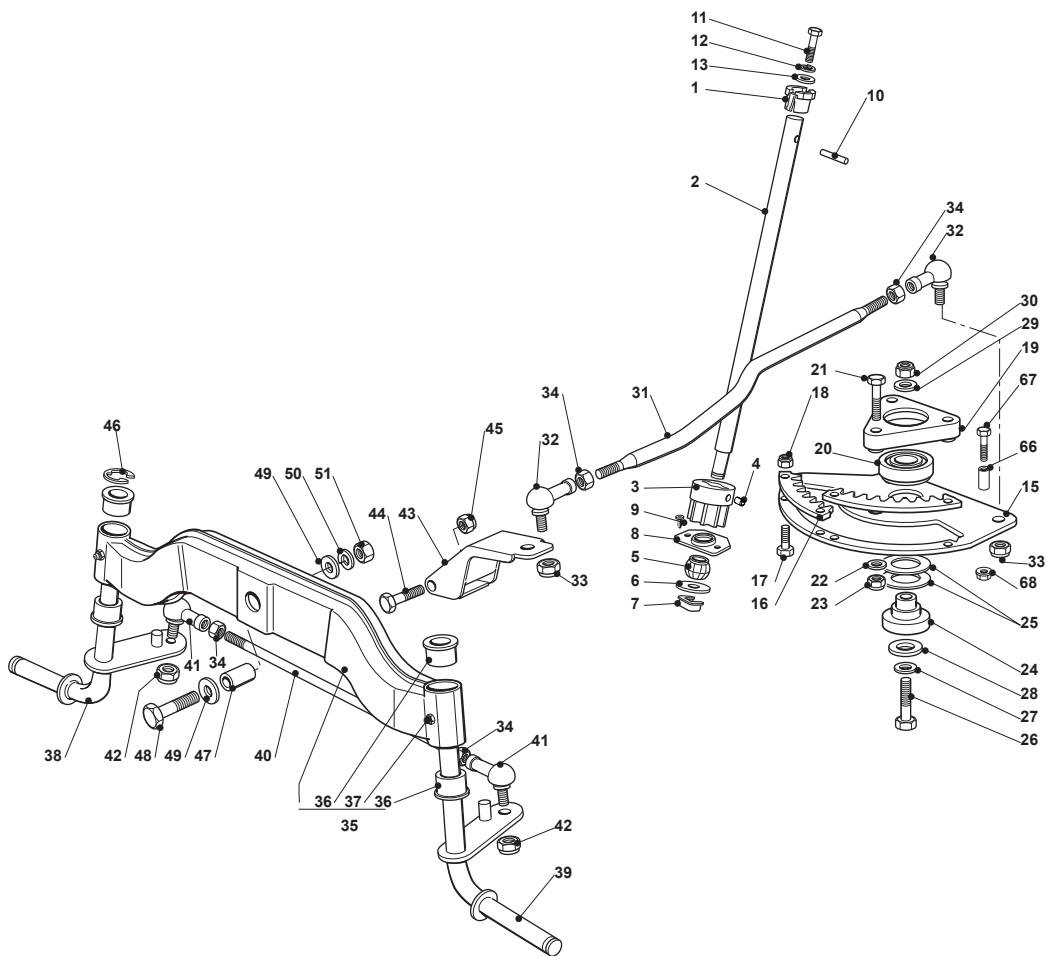


Fig.	Quantity	Part No	Description	Notes
1	1	325038004/0	Bushing	
2	1	125520010/0	Steering Column	
3	1	125570004/0	Pinion	
4	1	112714300/0	Dowel	
5	1	325743000/0	Joint	
6	1	112521370/0	Washer	
7	1	112436030/0	Plate	
8	1	325785213/1	Support	
9	2	112729601/1	Screw	
10	1	112620250/0	Pin	
11	1	112691800/0	Screw	
12	1	112583500/0	Grower	
13	1	112523060/0	Washer	
15	1	325735523/0	Steering Sector	
16	2	325150000/0	Rack	
17	4	112791213/1	Screw	
18	4	112154510/0	Nut	
19	1	325774453/0	Clamp	
20	1	119216047/0	Bearing	
21	3	112691100/0	Screw	
22	3	112523060/0	Washer	
23	3	112155000/0	Nut	
24	1	125510120/0	Support	
25	2	322672153/0	Antifriction Washer	
26	1	112692395/0	Screw	
27	1	112523080/0	Washer	
28	1	112521390/0	Washer	
29	1	112523080/0	Washer	
30	1	112156602/0	Nut	
31	1	125033003/1	Steering Rod	
32	2	122746600/0	Joint	
32	2	122746616/0	Joint	
33	2	122746609/0	Joint	
34	4	112156602/0	Nut	
35	1	382034001/3	Equalizer With Bush And Lubricator	
36	4	125034002/1	Bushing	
37	2	112379511/0	Grease Dispenser	
38	1	382230361/0	Right Stub Axle	
39	1	382230359/0	Left Stub Axle	
40	1	325840001/0	Tie Rod	
41	2	122746616/0	Joint	
42	2	112156602/0	Nut	
43	1	382318185/0	Lever Ass.Y	
44	1	112692395/0	Screw	
45	1	112155000/0	Nut	
46	1	112001000/0	Benzing Ring	
47	1	125160005/0	Spacer	
48	1	112694100/0	Screw	
49	2	112521390/0	Washer	
50	1	112587900/0	Grower	
51	1	112295800/0	Nut	

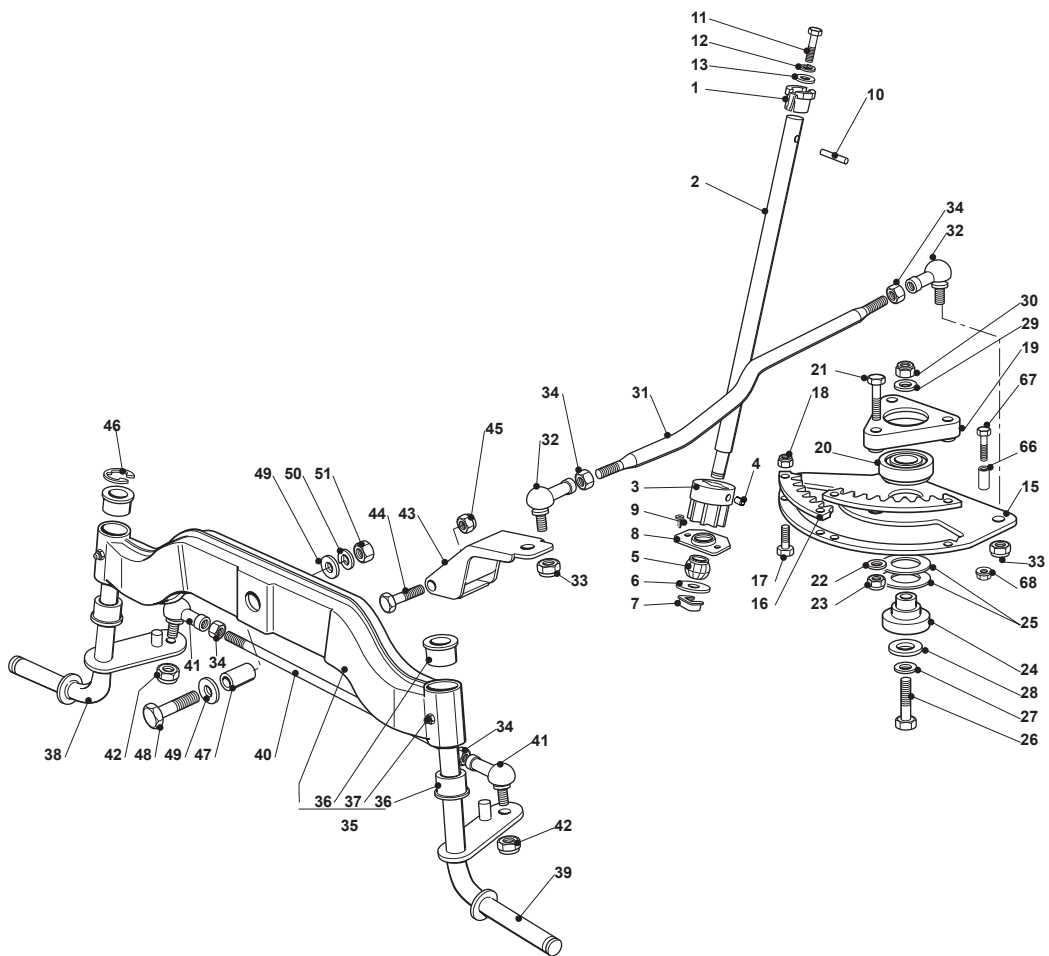


Fig.	Quantity	Part No	Description	Notes
66	1	122167840/0	Spacer	
67	1	112691200/0	Screw	
68	1	112293201/0	Nut	

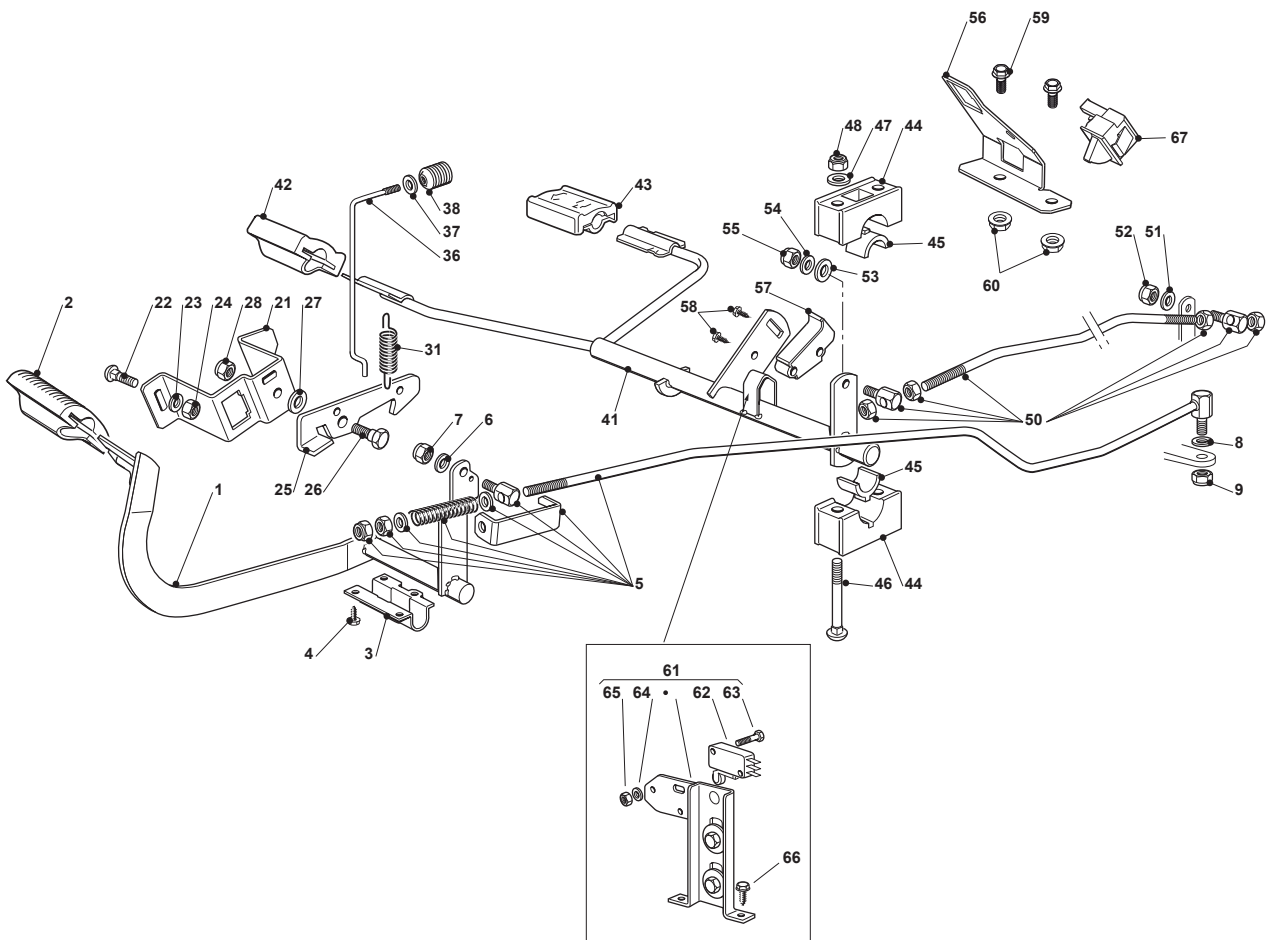


Fig.	Quantity	Part No	Description	Notes
1	1	382500011/2	Pedal	
2	1	325110416/0	Clamp Cover	
3	1	325547081/2	Plate	
4	4	112731601/0	Screw	
5	1	382000582/0	Rod	
6	1	112521350/0	Washer	
7	1	112155000/0	Nut	
8	2	112521360/0	Washer	
9	1	112155000/0	Nut	
21	1	325785143/1	Support	
22	2	112815210/0	Screw	
23	1	112523040/0	Washer	
24	2	112154510/0	Nut	
25	1	325253001/0	Hook	
26	1	122524970/2	Fulcrum Pin	
27	1	325670011/0	Antifriction Washer	
28	1	112155000/0	Nut	
31	1	125430213/0	Spring	
36	1	125033034/0	Rod	
37	1	125394509/1	Knob	
38	1	112523020/0	Washer	
41	1	382000391/1	Drive Pedal	
42	1	325110417/0	Clamp Cover Front	
43	1	325110418/0	Clamp Cover Rear	
44	4	325785354/0	Support	
45	4	325034003/0	Brass	
46	4	112815271/0	Screw	
47	4	112523040/0	Washer	
48	4	112154510/0	Nut	
50	1	382000579/0	Rod	
51	1	112523040/0	Washer	
52	1	112154510/0	Nut	
53	1	112521360/0	Washer	
54	1	112523040/0	Washer	
55	1	112154510/0	Nut	
56	1	325785481/0	Micro Switch Bracket	
57	1	325060034/1	Cam	
58	1	112735404/0	Screw	
59	2	112793102/0	Screw	
60	2	112293201/0	Nut	
61	1	382394853/0	Switch Ass.Y	
62	1	119410609/0	Microswitch	
63	2	112735602/0	Screw	
64	2	112581100/0	Grower	
65	2	112290791/0	Nut	
66	2	112735110/0	Screw	
67	1	119410614/0	Microswitch	

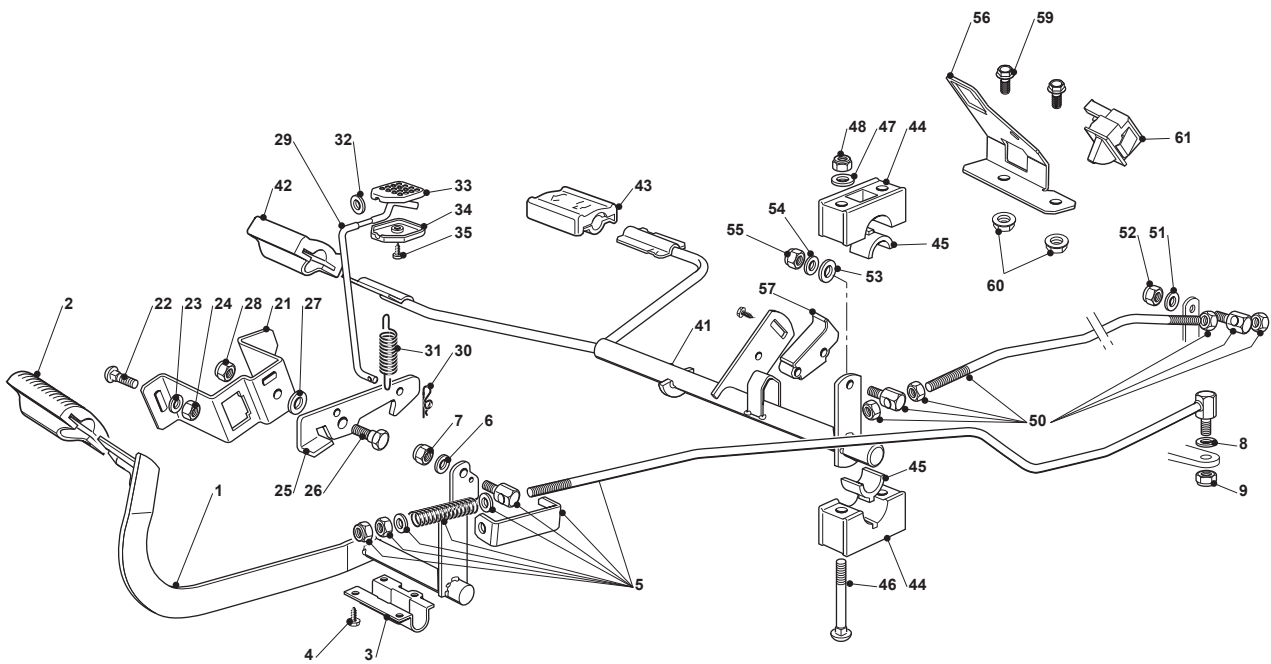


Fig.	Quantity	Part No	Description	Notes
1	1	382500011/2	Pedal	
2	1	325110416/0	Clamp Cover	
3	1	325547081/2	Plate	
4	4	112731601/0	Screw	
5	1	382000582/0	Rod	
6	1	112521350/0	Washer	
7	1	112155000/0	Nut	
8	2	112521360/0	Washer	
9	1	112155000/0	Nut	
21	1	325785143/1	Support	
22	2	112815210/0	Screw	
23	1	112523040/0	Washer	
24	2	112154510/0	Nut	
25	1	325253001/0	Hook	
26	1	122524970/2	Fulcrum Pin	
27	1	325670011/0	Antifriction Washer	
28	1	112155000/0	Nut	
29	1	125033097/0	Rod	
30	1	124487997/0	Cotter Pin	
31	1	125430213/0	Spring	
32	1	112523040/0	Washer	
33	1	325592001/0	Knob	
34	1	325592002/0	Knob	
35	1	112727815/0	Screw	
41	1	382000391/1	Drive Pedal	
42	1	325110417/0	Clamp Cover Front	
43	1	325110418/0	Clamp Cover Rear	
44	4	325785354/0	Support	
45	4	325034003/0	Brass	
46	4	112815271/0	Screw	
47	4	112523040/0	Washer	
48	4	112154510/0	Nut	
50	1	382000579/0	Rod	
51	1	112523040/0	Washer	
52	1	112154510/0	Nut	
53	1	112521360/0	Washer	
54	1	112523040/0	Washer	
55	1	112154510/0	Nut	
56	1	325785481/0	Micro Switch Bracket	
57	1	325060034/1	Cam	
58	1	112735404/0	Screw	
59	2	112793102/0	Screw	
60	2	112293201/0	Nut	
61	1	119410614/0	Microswitch	

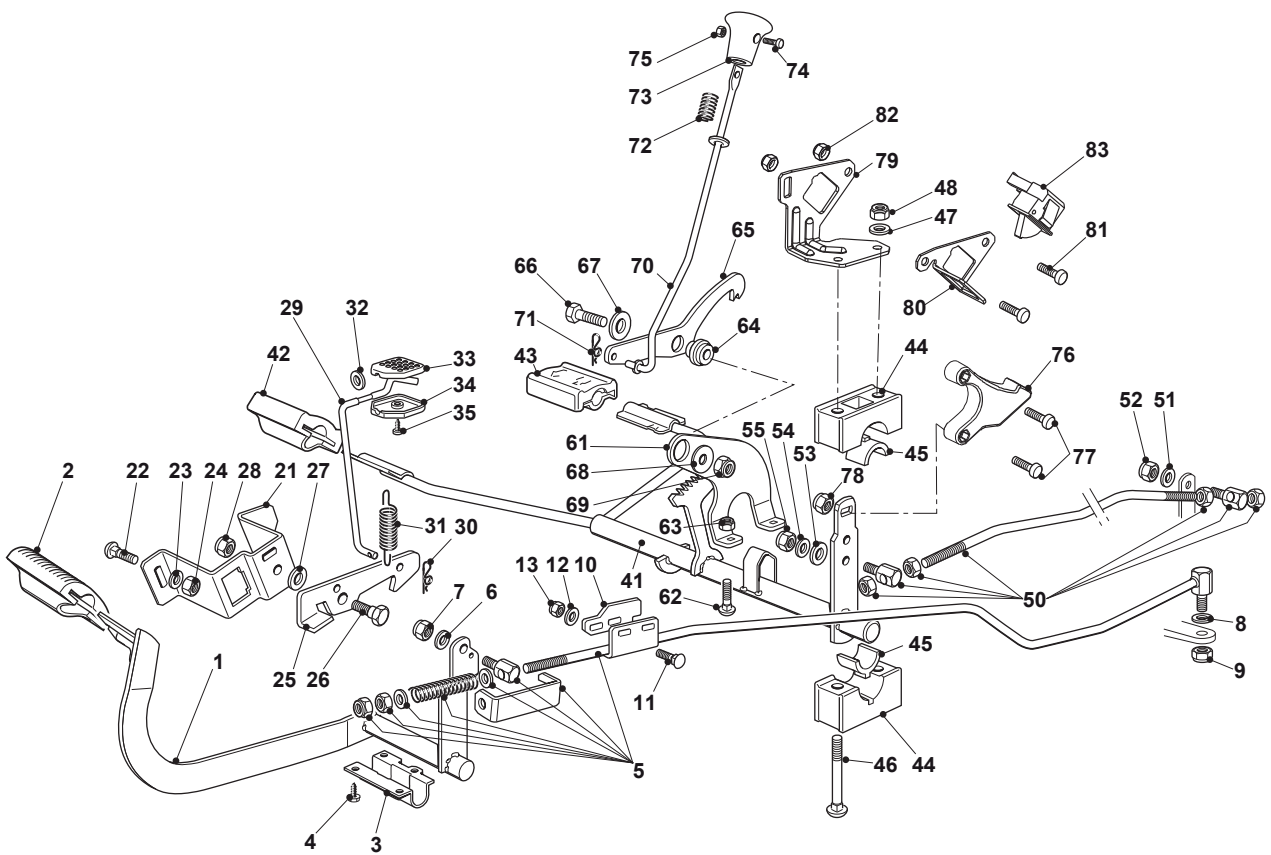


Fig.	Quantity	Part No	Description	Notes
1	1	382500011/2	Pedal	
2	1	325110416/0	Clamp Cover	
3	1	325547081/2	Plate	
4	4	112731601/0	Screw	
5	1	382000626/0	Brake Rod Assy	
6	1	112521350/0	Washer	
7	1	112155000/0	Nut	
8	2	112521360/0	Washer	
9	1	112155000/0	Nut	
10	1	325547281/1	Plate	
11	2	112815210/0	Screw	
12	2	112523040/0	Washer	
13	2	112154510/0	Nut	
21	1	325785143/1	Support	
22	2	112815210/0	Screw	
23	1	112523040/0	Washer	
24	2	112154510/0	Nut	
25	1	325253001/0	Hook	
26	1	122524970/2	Fulcrum Pin	
27	1	325670011/0	Antifriction Washer	
28	1	112155000/0	Nut	
29	1	125033097/0	Rod	
30	1	124487997/0	Cotter Pin	
31	1	125430213/0	Spring	
32	1	112523040/0	Washer	
33	1	325592001/0	Knob	
34	1	325592002/0	Knob	
35	1	112727815/0	Screw	
41	1	382000389/1	Drive Pedal	
42	1	325110417/0	Clamp Cover Front	
43	1	325110418/0	Clamp Cover Rear	
44	4	325785354/0	Support	
45	4	325034003/0	Brass	
46	4	112815271/0	Screw	
47	4	112523040/0	Washer	
48	4	112154510/0	Nut	
50	1	382000579/0	Rod	
51	1	112523040/0	Washer	
52	1	112154510/0	Nut	
53	1	112521360/0	Washer	
54	1	112523040/0	Washer	
55	1	112154510/0	Nut	
61	1	325774477/0	Clamp	
62	2	112815210/0	Screw	
63	2	112292102/0	Nut	
64	1	125040638/0	Bushing	
65	1	325022000/1	Hook	
66	1	112691100/0	Screw	
67	1	112523060/0	Washer	
68	1	322672152/0	Antifriction Washer	
69	1	112155000/0	Nut	

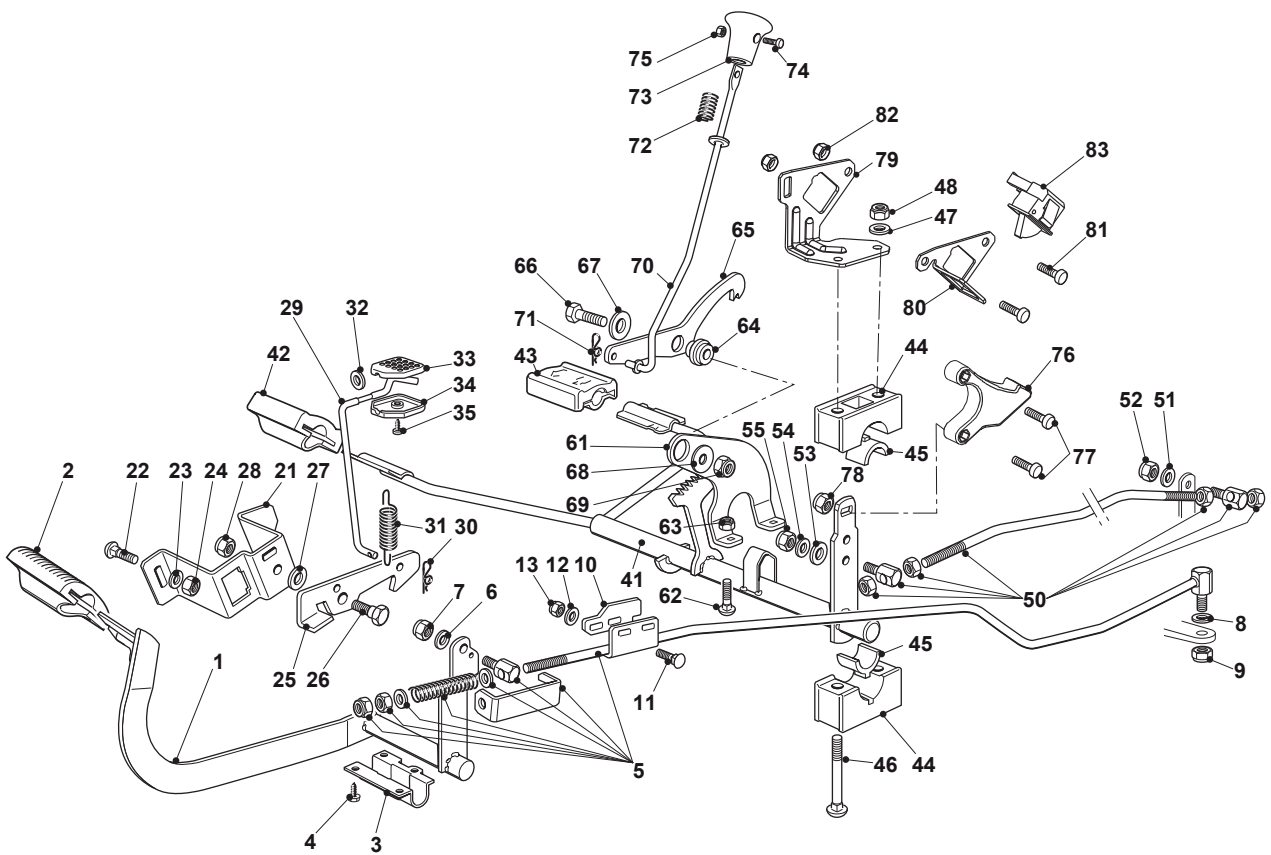


Fig.	Quantity	Part No	Description	Notes
70	1	125033091/0	Rod	
71	1	124487995/0	Cotter Pin	
72	1	125430232/0	Spring	
73	1	325605002/0	Button	
74	1	112726389/0	Screw	
75	1	112290800/0	Nut	
76	1	325060050/0	Cam	
77	1	112789100/0	Screw	
78	2	112154330/0	Nut	
79	2	325755071/0	Angle Bracket	
80	1	325785479/0	Micro Switch Bracket	
81	2	112791400/0	Screw	
82	2	112292102/0	Nut	
83	1	119410614/0	Microswitch	

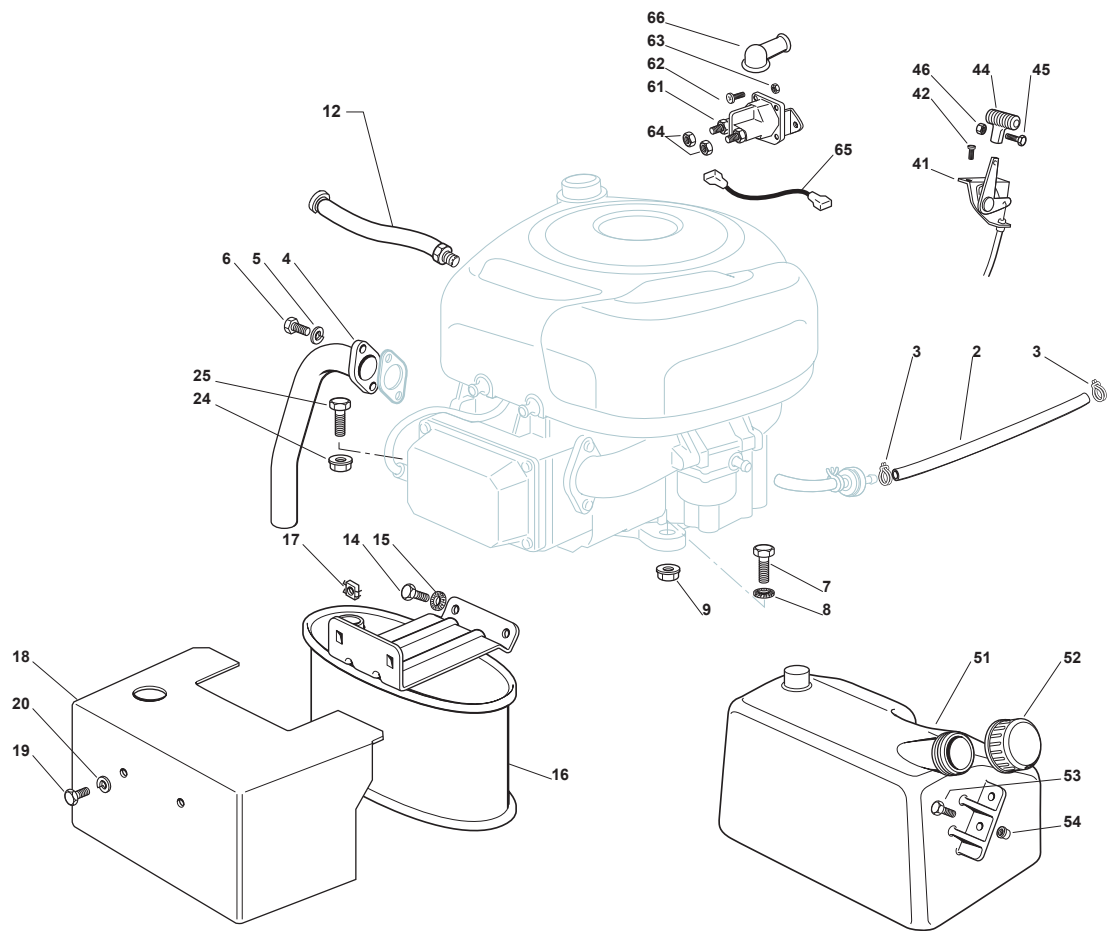


Fig.	Quantity	Part No	Description	Notes
2	1	325869016/1	Connecting Tube	
3	2	118375051/1	Fair Led	
4	1	118738224/0	Exhaust Conn. Tube	
5	2	112583500/0	Grower	
6	2	112735530/0	Screw	
7	1	112691115/0	Screw	
8	1	112540260/0	Grower	
9	1	112154210/0	Nut	
12	1	1134-5827-01	Oil Drain Assy	
14	2	112793102/0	Screw	
15	2	112540260/0	Grower	
16	1	182750010/0	Muffler	
17	2	112360425/0	Nut	
18	1	382598009/2	Muffler Protection	
19	2	112792611/0	Screw	
20	2	112583500/0	Grower	
24	3	112154210/0	Nut	
25	3	112691100/0	Screw	
41	1	182000200/1	Throttle Cable	
42	2	125943012/0	Screw	
44	1	325592000/0	Knob	
45	1	112726388/0	Screw	
46	1	112290800/0	Nut	
51	1	125735110/3	Tank	
52	1	125795000/1	Fuel Cap	
53	2	112788910/0	Screw	
54	2	112500092/0	Rivet	
61	1	118736110/0	Starter Relay	
62	2	112791011/0	Screw	
63	2	112292102/0	Nut	
64	2	112360352/0	Nut	
65	1	125065017/0	Cable	
66	1	118564861/1	Protection	

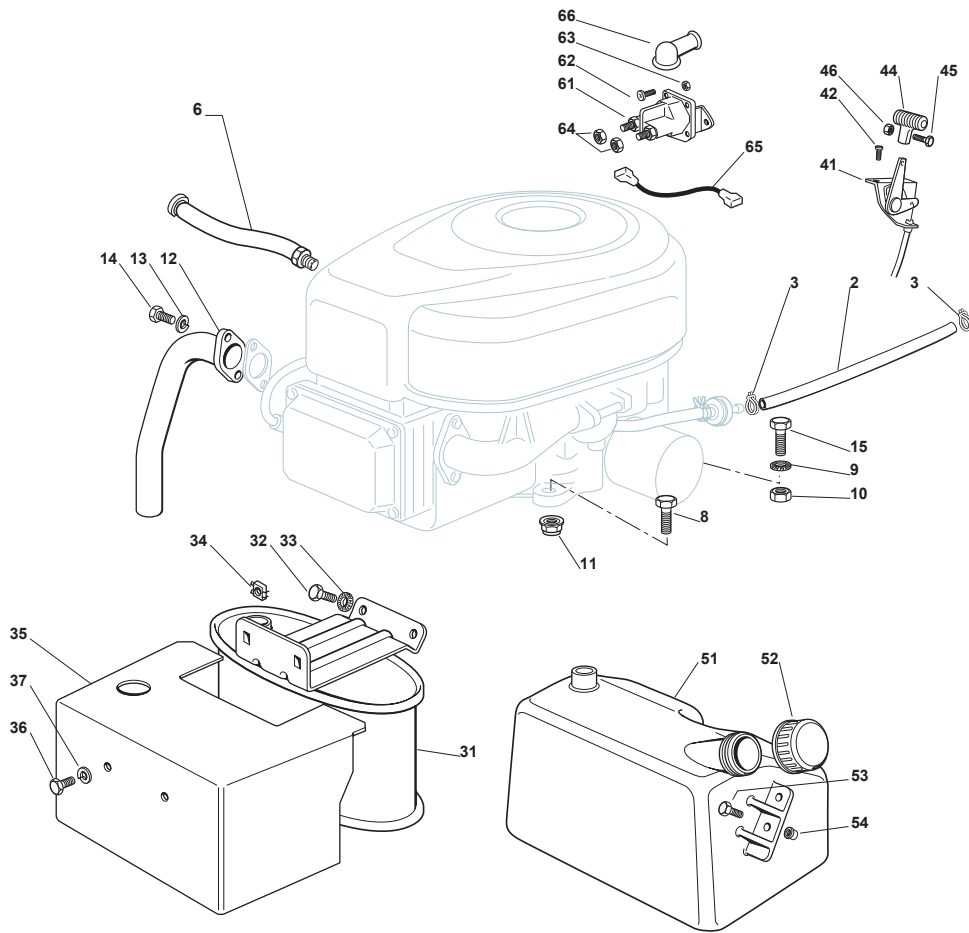


Fig.	Quantity	Part No	Description	Notes
2	1	325869016/1	Connecting Tube	
3	2	118375051/1	Fair Led	
6	1	1134-5827-01	Oil Drain Assy	
8	3	112691100/0	Screw	
9	1	112540260/0	Grower	
10	1	112154210/0	Nut	
11	3	112154210/0	Nut	
12	1	118738206/0	Exhaust Discharge Tube	
13	2	112583500/0	Grower	
14	2	112735530/0	Screw	
15	1	112691115/0	Screw	
31	1	182750010/0	Muffler	
32	2	112793102/0	Screw	
33	2	112540260/0	Grower	
34	2	112360425/0	Nut	
35	1	382598009/2	Muffler Protection	
36	2	112792611/0	Screw	
37	2	112583500/0	Grower	
41	1	182000200/1	Throttle Cable	
42	2	125943012/0	Screw	
44	1	325592000/0	Knob	
45	1	112726388/0	Screw	
46	1	112290800/0	Nut	
51	1	125735110/3	Tank	
51	1	325735111/3	Tank	
52	1	125795000/1	Fuel Cap	
53	2	112788910/0	Screw	
54	2	112500092/0	Rivet	
61	1	118736110/0	Starter Relay	
62	2	112791011/0	Screw	
63	2	112292102/0	Nut	
64	2	112360352/0	Nut	
65	1	125065017/0	Cable	
66	1	118564861/1	Protection	

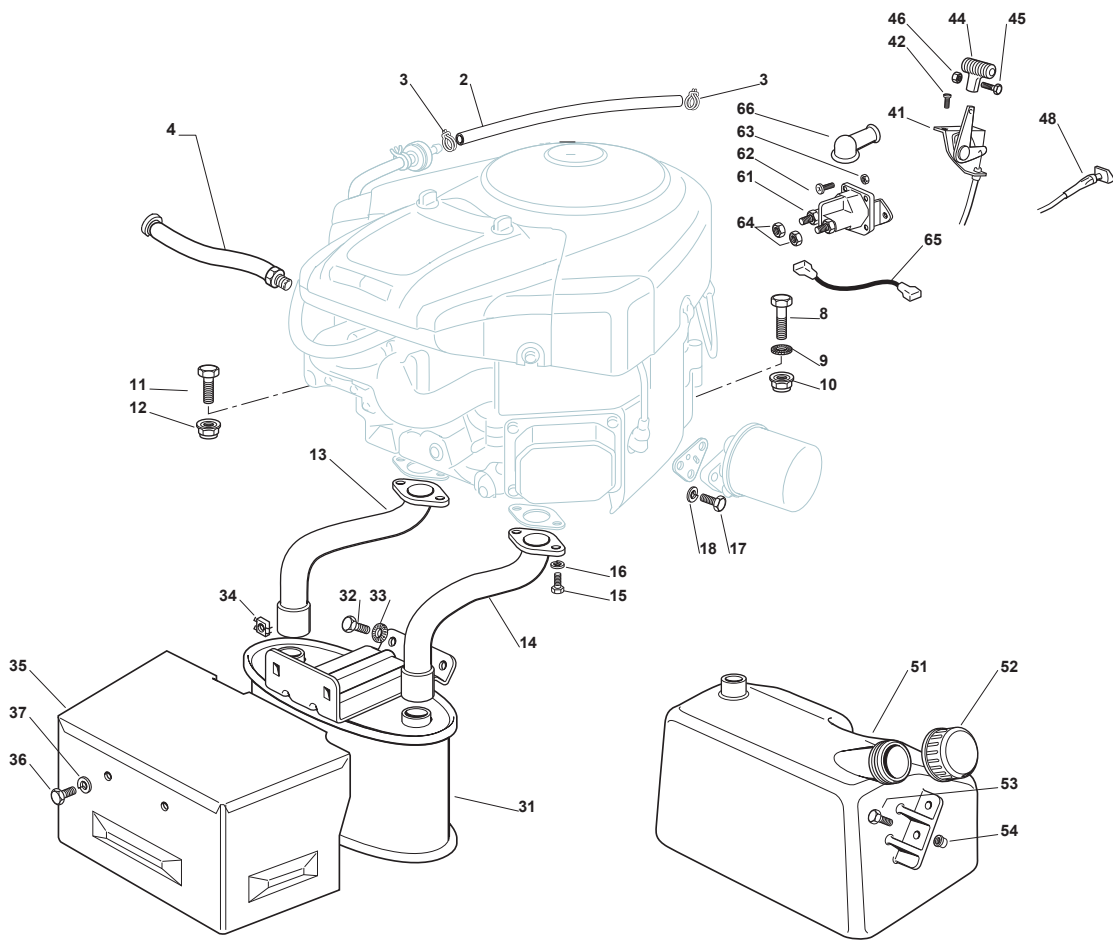


Fig.	Quantity	Part No	Description	Notes
2	1	325869016/1	Connecting Tube	
3	2	118375051/1	Fair Led	
4	1	1134-5827-01	Oil Drain Assy	
8	1	112691115/0	Screw	
9	1	112540260/0	Grower	
10	1	112154210/0	Nut	
11	3	112691100/0	Screw	
12	3	112154210/0	Nut	
13	1	118738214/0	Exhaust Discharge Tube Right	
14	1	118738215/0	Exhaust Discharge Tube Left	
15	4	112735530/0	Screw	
16	4	112583500/0	Grower	
17	3	112791400/0	Screw	
18	3	112582100/0	Grower	
31	1	182750011/0	Single-Cylinder Muffler	
32	2	112793102/0	Screw	
33	2	112540260/0	Grower	
34	2	112360425/0	Nut	
35	1	382598005/2	Muffler Protection	
36	2	112792611/0	Screw	
37	2	112583500/0	Grower	
41	1	182000211/1	Accelerator	
42	2	125943012/0	Screw	
44	1	325592000/0	Knob	
45	1	112726388/0	Screw	
46	1	112290800/0	Nut	
48	1	125090001/2	Choke Control	
51	1	325735111/3	Tank	
52	1	125795000/1	Fuel Cap	
53	2	112788910/0	Screw	
54	2	112500092/0	Rivet	
61	1	118736110/0	Starter Relay	
62	2	112791011/0	Screw	
63	2	112292102/0	Nut	
64	2	112360352/0	Nut	
65	1	125065017/0	Cable	
66	1	118564861/1	Protection	

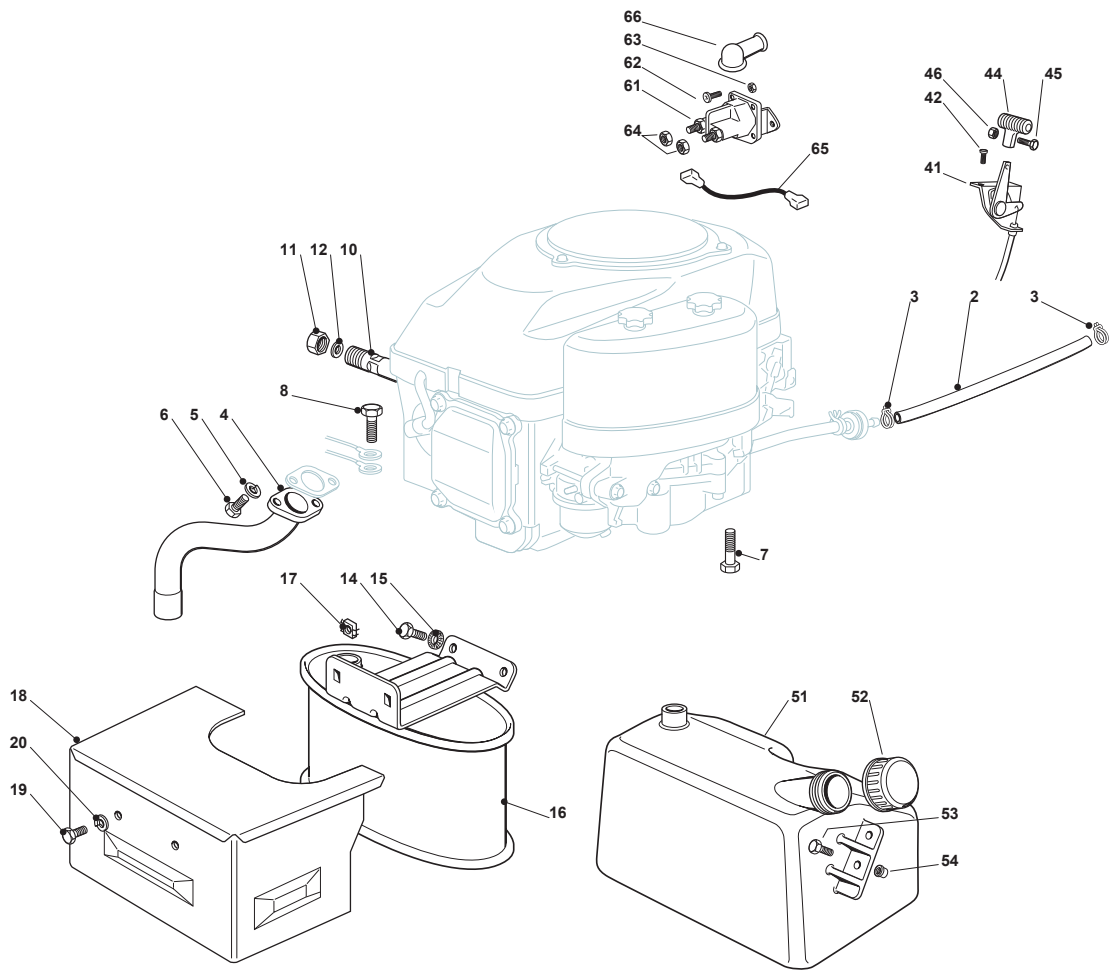


Fig.	Quantity	Part No	Description	Notes
2	1	325869057/0	Connecting Tube	
3	4	118375051/1	Fair Led	
4	1	118738231/1	Exhaust Tube	
5	2	112583500/0	Grower	
6	2	112737450/0	Screw	
7	4	112735108/1	Screw	
8	1	112735599/0	Screw	
10	1	127598060/0	Oil Discharge Extension	
11	1	118737849/0	Plug	
12	1	118401001/1	Oil Seal	
14	2	112793102/0	Screw	
15	2	112540260/0	Grower	
16	1	182750010/0	Muffler	
17	2	112360425/0	Nut	
18	1	382598039/0	Guard	
19	2	112792611/0	Screw	
20	2	112583500/0	Grower	
41	1	182000212/0	Accelerator	
42	2	125943012/0	Screw	
44	1	125394501/0	Knob	
45	1	112726388/0	Screw	
46	1	112290800/0	Nut	
51	1	325735111/3	Tank	with fuel level
51	1	125735110/3	Tank	without fuel level
52	1	125795000/1	Fuel Cap	
53	2	112788910/0	Screw	
54	2	112500092/0	Rivet	
61	1	118736110/0	Starter Relay	
62	2	112791011/0	Screw	
63	2	112292102/0	Nut	
64	2	112360352/0	Nut	
65	1	125065017/0	Cable	
66	1	118564861/1	Protection	

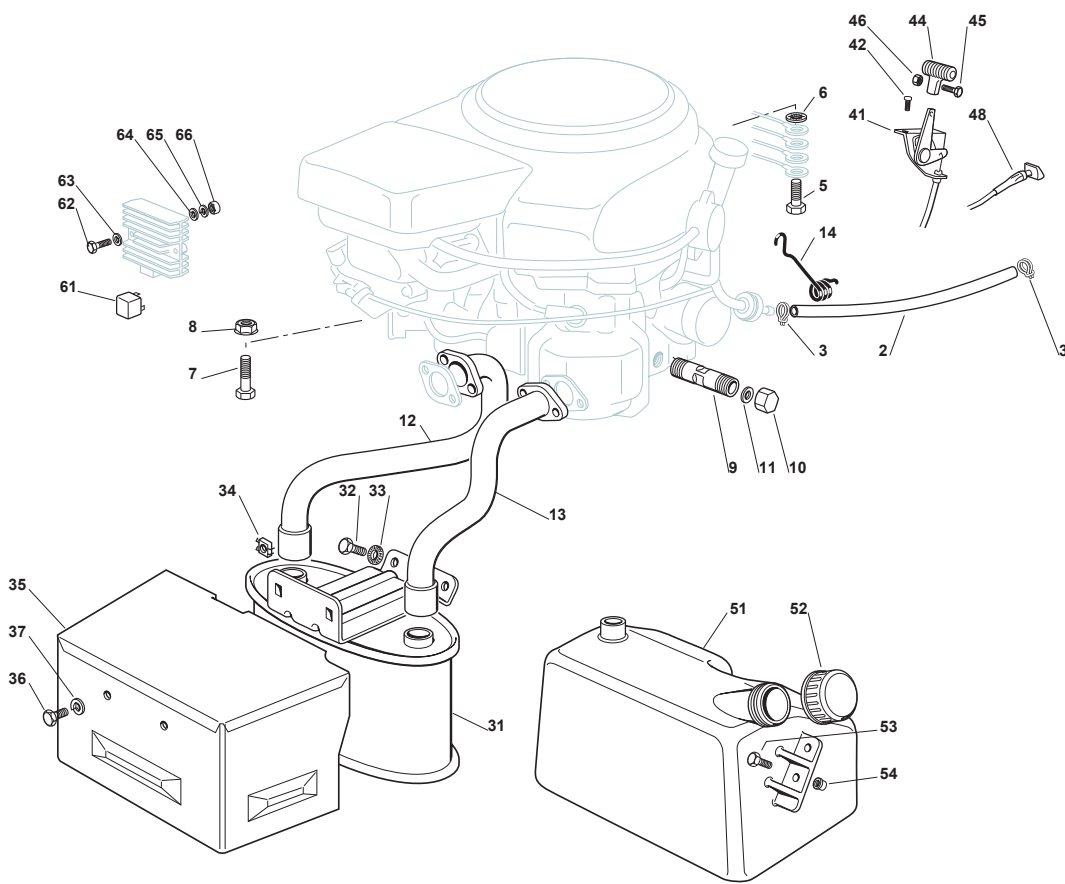


Fig.	Quantity	Part No	Description	Notes
2	1	325869027/1	Connecting Tube	
3	2	118375051/1	Fair Led	
5	1	112735599/0	Screw	
6	1	112540260/0	Grower	
7	4	112691115/0	Screw	
8	4	112154210/0	Nut	
9	1	125598052/0	Oil Discharge Extension	
10	1	118737849/0	Plug	
11	1	118401001/1	Oil Seal	
12	1	118738221/0	Exhaust Tube Right	
13	1	118738222/0	Right Exhaust Connection	
14	1	127430562/0	Spring	
31	1	182750003/0	Muffler Assy	
32	2	112793102/0	Screw	
33	2	112540260/0	Grower	
34	2	112360425/0	Nut	
35	1	382598005/2	Muffler Protection	
36	2	112792611/0	Screw	
37	2	112583500/0	Grower	
41	1	182000201/2	Accelerator	
42	2	125943012/0	Screw	
44	1	125394501/0	Knob	
45	1	112726388/0	Screw	
46	1	112290800/0	Nut	
48	1	125090001/2	Choke Control	
51	1	125735110/3	Tank	without fuel level
51	1	325735111/3	Tank	with fuel level
52	1	125795000/1	Fuel Cap	
53	2	112788910/0	Screw	
54	2	112500092/0	Rivet	
61	1	133567000/0	Relay	
62	2	112791500/0	Screw	
63	2	112521330/0	Washer	
64	2	112521330/0	Washer	
65	2	112582100/0	Grower	
66	2	112292100/0	Nut	

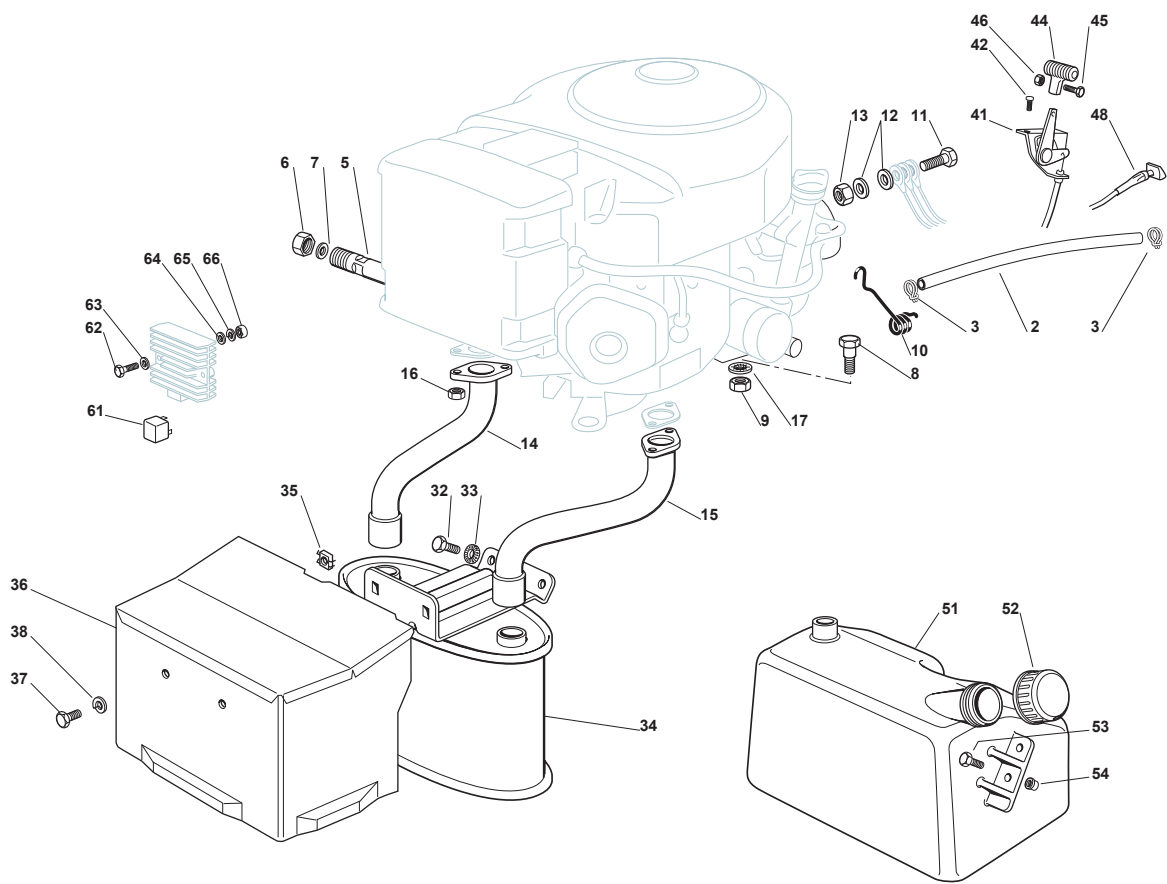


Fig.	Quantity	Part No	Description	Notes
2	1	325869033/1	Fuel Tube	
3	2	118375051/1	Fair Led	
5	1	127598061/1	Oil Discharge Extension	
6	1	118737849/0	Plug	
7	1	118401001/1	Oil Seal	
8	4	125510028/1	Pin	
9	4	112154210/0	Nut	
10	1	127430561/0	Spring	
11	1	112691115/0	Screw	
12	2	112521350/0	Washer	
13	1	112293201/0	Nut	
14	1	118738243/0	Exhaust Discharge Tube Right	
15	1	118738244/0	Exhaust Discharge Tube Left	
16	4	112293201/0	Nut	
17	1	112540260/0	Grower	
32	2	112793102/0	Screw	
33	2	112540260/0	Grower	
34	1	182750003/0	Muffler Assy	
35	2	112360425/0	Nut	
36	1	382598051/0	Guard	
37	2	112792611/0	Screw	
38	2	112583500/0	Grower	
41	1	182000219/0	Accelerator	
42	2	125943012/0	Screw	
44	1	125394501/0	Knob	
45	1	112726388/0	Screw	
46	1	112290800/0	Nut	
48	1	125090007/0	Choke Control	
51	1	125735110/3	Tank	without fuel level
51	1	325735111/3	Tank	with fuel level
52	1	125795000/1	Fuel Cap	
53	2	112788910/0	Screw	
54	2	112500092/0	Rivet	
61	1	133567000/0	Relay	
62	2	112791500/0	Screw	
63	2	112521330/0	Washer	
64	2	112521330/0	Washer	
65	2	112582100/0	Grower	
66	2	112292100/0	Nut	

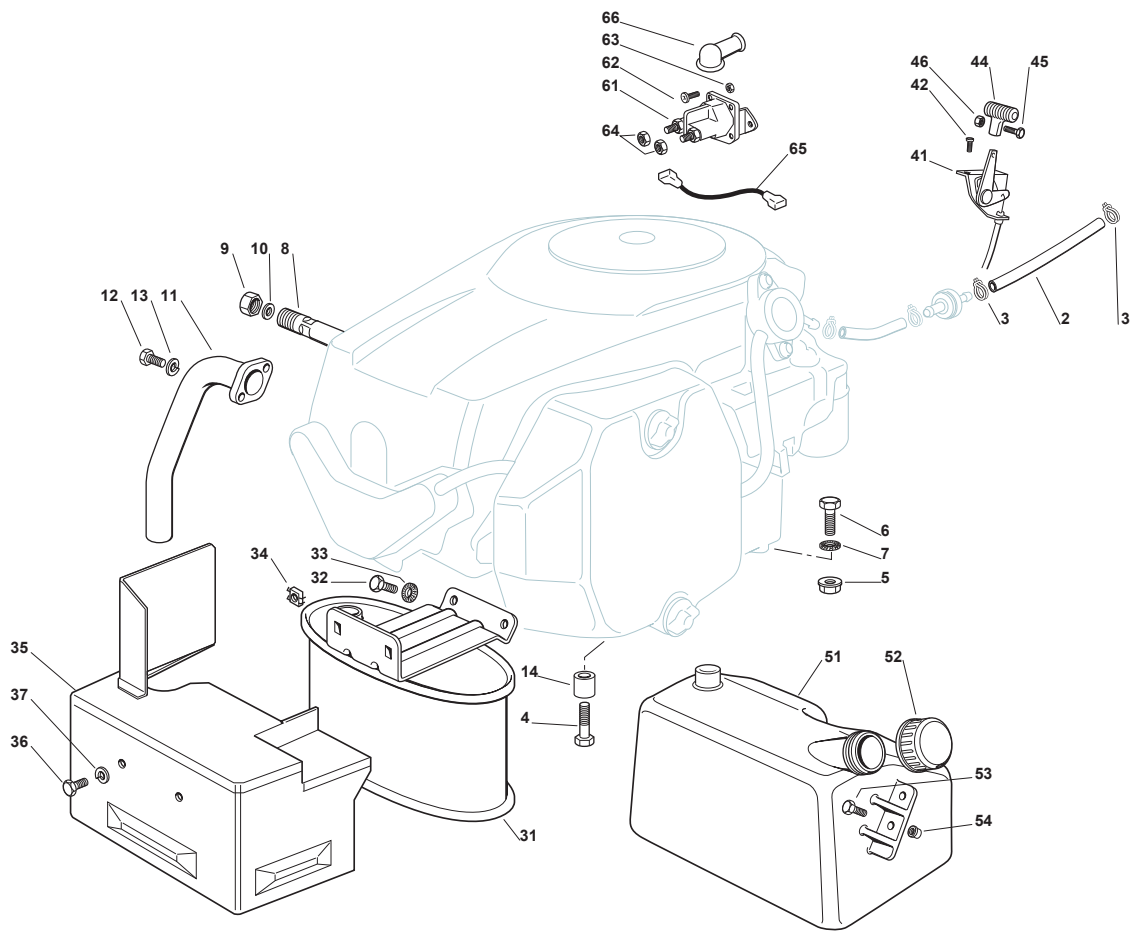


Fig.	Quantity	Part No	Description	Notes
2	1	325869016/1	Connecting Tube	
3	2	118375051/1	Fair Led	
4	3	112735108/1	Screw	
5	1	112154210/0	Nut	
6	1	112691115/0	Screw	
7	1	112540260/0	Grower	
8	1	127598060/0	Oil Discharge Extension	
9	1	118737849/0	Plug	
10	1	118401001/1	Oil Seal	
11	1	118738227/0	Exhaust Pipe Kohler 16-18	
12	2	112735530/0	Screw	
13	2	112583500/0	Grower	
14	3	125160035/0	Spacer	
31	1	182750010/0	Muffler	
32	2	112793102/0	Screw	
33	2	112540260/0	Grower	
34	2	112360425/0	Nut	
35	1	382598029/0	Muffler Protection	
36	2	112792611/0	Screw	
37	2	112583500/0	Grower	
41	1	182000200/1	Throttle Cable	
42	2	125943012/0	Screw	
44	1	125394501/0	Knob	
45	1	112726388/0	Screw	
46	1	112290800/0	Nut	
51	1	125735110/3	Tank	without fuel level
51	1	325735111/3	Tank	with fuel level
52	1	125795000/1	Fuel Cap	
53	2	112788910/0	Screw	
54	2	112500092/0	Rivet	
61	1	118736110/0	Starter Relay	
62	2	112791011/0	Screw	
63	2	112292102/0	Nut	
64	2	112360352/0	Nut	
65	1	125065017/0	Cable	
66	1	118564861/1	Protection	

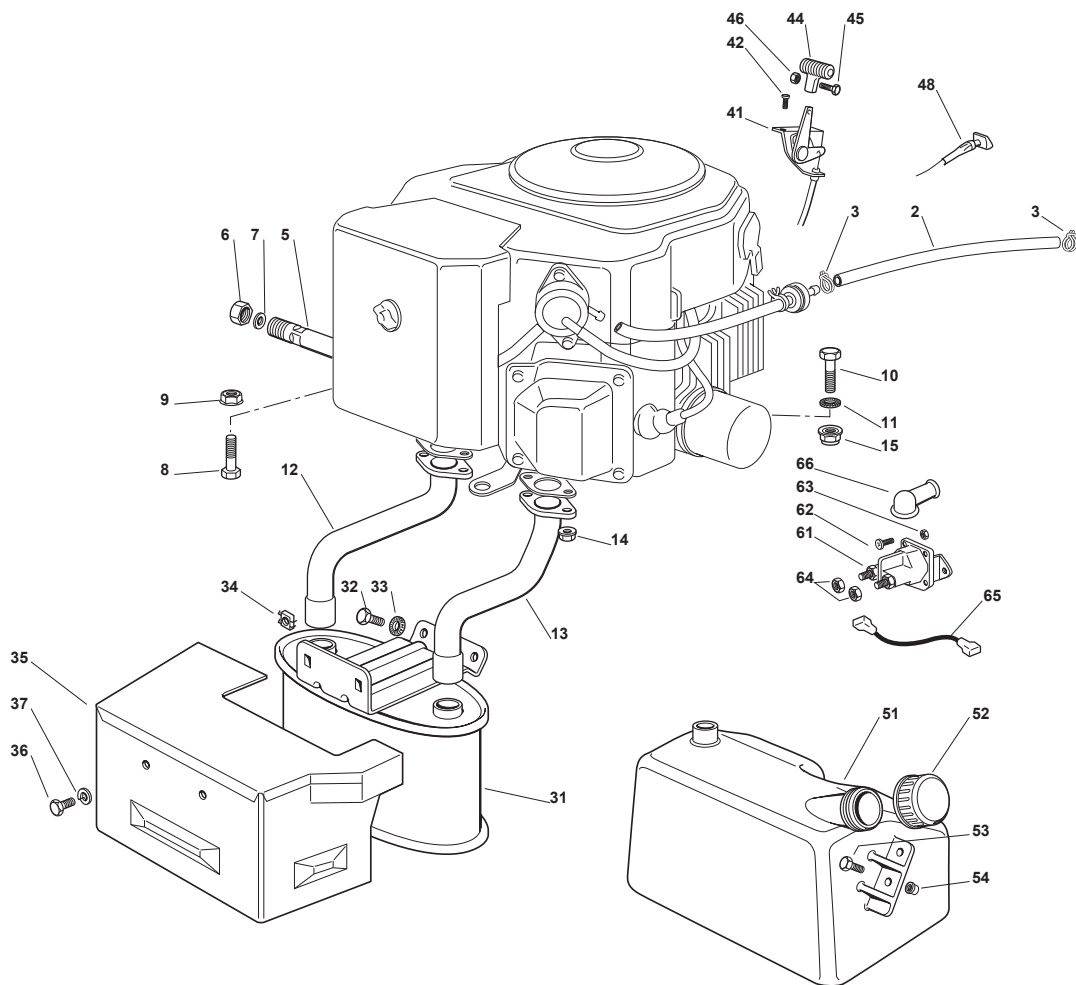


Fig.	Quantity	Part No	Description	Notes
2	1	325869016/1	Connecting Tube	
3	2	118375051/1	Fair Led	
5	1	125598050/0	Oil Discharge Extension	
6	1	118737849/0	Plug	
7	1	118401001/1	Oil Seal	
8	3	112691100/0	Screw	
8	3	112735108/0	Screw	
9	3	112154210/0	Nut	
10	1	112691115/0	Screw	
11	1	112540260/0	Grower	
12	1	118738207/1	Right Exhaust Pipe Kohler 22Hp	
13	1	118738208/1	Exhaust Tube Left	
14	4	112293201/0	Nut	
15	1	112154210/0	Nut	
31	1	182750003/0	Muffler Assy	
32	2	112793102/0	Screw	
33	2	112540260/0	Grower	
34	2	112360425/0	Nut	
35	1	382598013/1	Guard	
36	2	112792611/0	Screw	
37	2	112583500/0	Grower	
41	1	182000204/1	Throttle Cable	
42	2	125943012/0	Screw	
44	1	125394501/0	Knob	
45	1	112726388/0	Screw	
46	1	112290800/0	Nut	
48	1	125090004/0	Choke Control	
51	1	325735111/3	Tank	with fuel level
51	1	125735110/3	Tank	without fuel level
52	1	125795000/1	Fuel Cap	
53	2	112788910/0	Screw	
54	2	112500092/0	Rivet	
61	1	118736110/0	Starter Relay	
62	2	112791011/0	Screw	
63	2	112292102/0	Nut	
64	2	112360352/0	Nut	
65	1	125065017/0	Cable	
66	1	118564861/1	Protection	

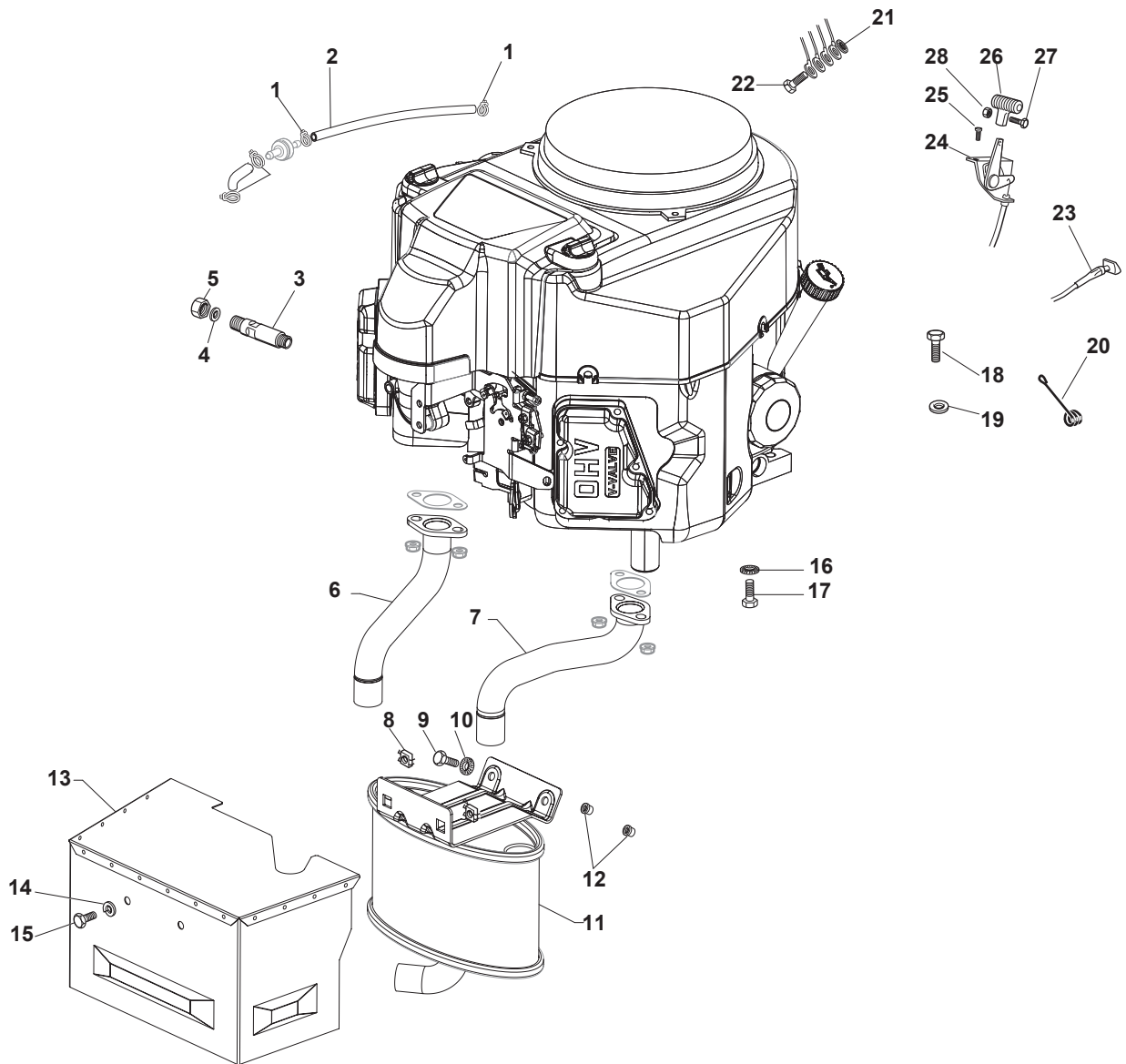


Fig.	Quantity	Part No	Description	Notes
1	2	118375051/1	Fair Led	
2	1	138780531/0	Fuel Tube	
3	1	127598060/0	Oil Discharge Extension	
4	1	118401001/1	Oil Seal	
5	1	118737849/0	Plug	
6	1	118738254/0	Left Exhaust Connection	
7	1	118738255/0	Right Exhaust Connection	
8	3	112360425/0	Nut	
9	3	112793102/0	Screw	
10	2	112540260/0	Grower	
11	1	182750014/0	Muffler	
12	2	112280100/0	Nut	
13	1	382598065/0	Muffler Protection	
14	2	112792611/0	Screw	
15	2	112583500/0	Grower	
16	4	112540070/0	Washer	
17	4	112735821/0	Screw	
18	1	112792611/0	Screw	
19	1	112521350/0	Washer	
20	1	125430252/0	Spring	
21	3	112540260/0	Grower	
22	3	112793102/0	Screw	
23	1	125090001/2	Choke Control	
24	1	182000201/2	Accelerator	
25	2	125943012/0	Screw	
26	1	325592000/0	Knob	
27	1	112726388/0	Screw	
28	1	112290800/0	Nut	

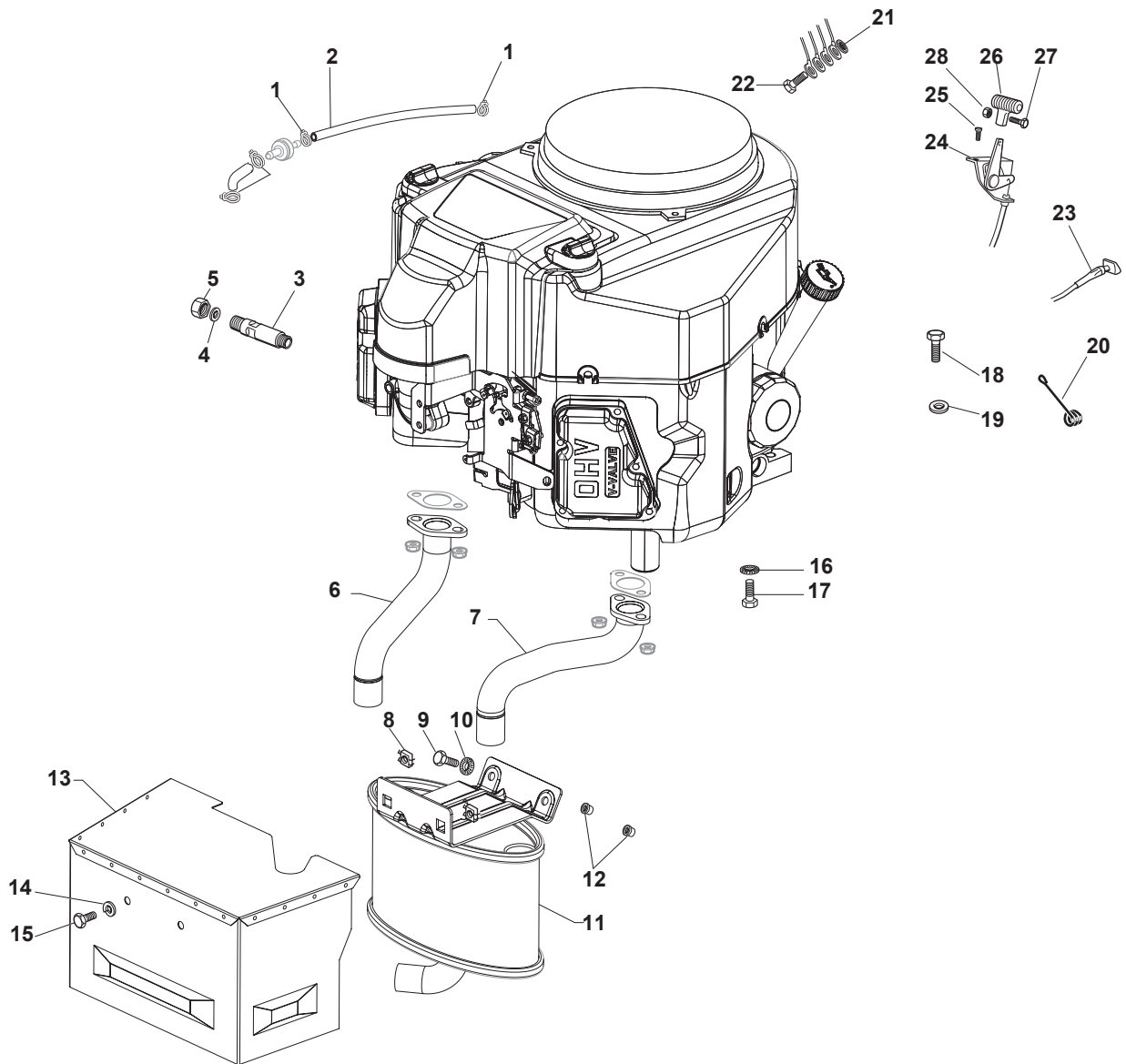


Fig.	Quantity	Part No	Description	Notes
1	2	118375051/1	Fair Led	
2	1	138780531/0	Fuel Tube	
3	1	127598060/0	Oil Discharge Extension	
4	1	118401001/1	Oil Seal	
5	1	118737849/0	Plug	
6	1	118738256/0	Left Exhaust Connection	
7	1	118738257/0	Right Exhaust Connection	
8	3	112360425/0	Nut	
9	3	112793102/0	Screw	
10	2	112540260/0	Grower	
11	1	182750014/0	Muffler	
12	2	112280100/0	Nut	
13	1	382598065/0	Muffler Protection	
14	2	112792611/0	Screw	
15	2	112583500/0	Grower	
16	4	112540070/0	Washer	
17	4	112735821/0	Screw	
18	1	112792611/0	Screw	
19	1	112521350/0	Washer	
20	1	125430252/0	Spring	
21	3	112540260/0	Grower	
22	3	112793102/0	Screw	
23	1	125090001/2	Choke Control	
24	1	182000201/2	Accelerator	
25	2	125943012/0	Screw	
26	1	325592000/0	Knob	
27	1	112726388/0	Screw	
28	1	112290800/0	Nut	

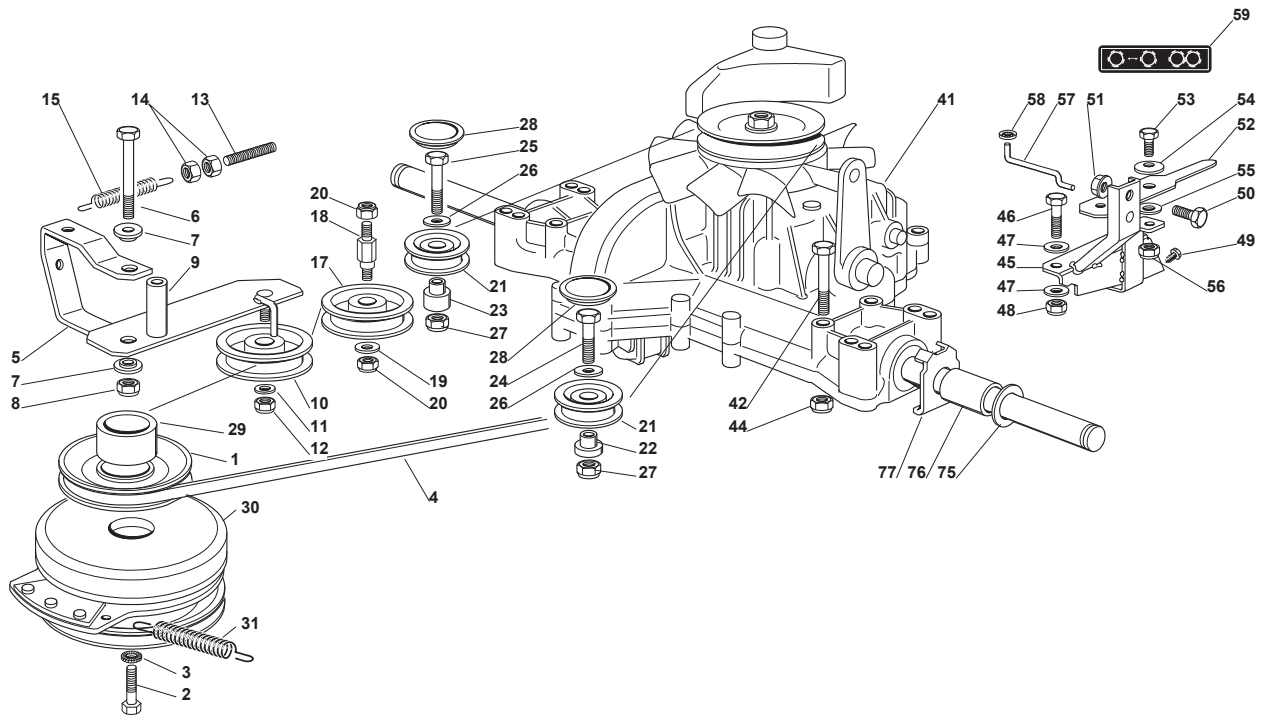


Fig.	Quantity	Part No	Description	Notes
1	1	125601566/0	Pulley	
2	1	112737320/0	Screw	
3	1	112543000/0	Washer	
4	1	135062001/0	Trapezoidal Belt	
5	1	382318165/1	Lever	
6	1	112692000/0	Screw	
7	2	125038002/1	Bushing	
8	1	112155000/0	Nut	
9	1	125160027/0	Spacer	
10	1	125601554/0	Pulley	
11	1	112523060/0	Washer	
12	1	112155000/0	Nut	
13	1	125840010/1	Tie Rod	
14	2	112293200/0	Nut	
15	1	125430219/0	Spring	
17	1	325601599/0	Pulley	
18	1	125510036/2	Pin	
19	1	112523060/0	Washer	
20	2	112155000/0	Nut	
21	2	325601570/1	Pulley	
22	1	125160030/2	Left Spacer	
23	1	125160024/2	Right Spacer	
24	1	112691115/0	Screw	
25	1	112691400/0	Screw	
26	2	112523060/0	Washer	
27	2	112155000/0	Nut	
28	2	125109521/1	Cover	
29	1	125160021/0	Spacer	
30	1	118399062/0	Electromagnetic Clutch	
31	1	125430210/1	Brake Spring	
41	1	118400950/1	Rear Axle Tuff Torq K46F	
42	4	112691800/0	Screw	
44	4	112154210/0	Nut	
45	1	382785109/0	Support	
46	1	112691200/0	Screw	
47	2	112521350/0	Washer	
48	1	112155000/0	Nut	
49	2	112735120/0	Screw	
50	1	112792611/0	Screw	
51	1	112293201/0	Nut	
52	1	325318157/0	Lever	
53	1	112793102/0	Screw	
54	1	112369500/0	Elastic Washer	
55	1	325670011/0	Antifriction Washer	
56	1	112155000/0	Nut	
57	1	125033033/0	Rod	
58	1	112604896/0	Crown Fastener	
59	1	114357423/2	Label	
75	4	125670005/1	Washer	
76	2	125160023/0	Spacer	
77	2	325670025/0	Washer	

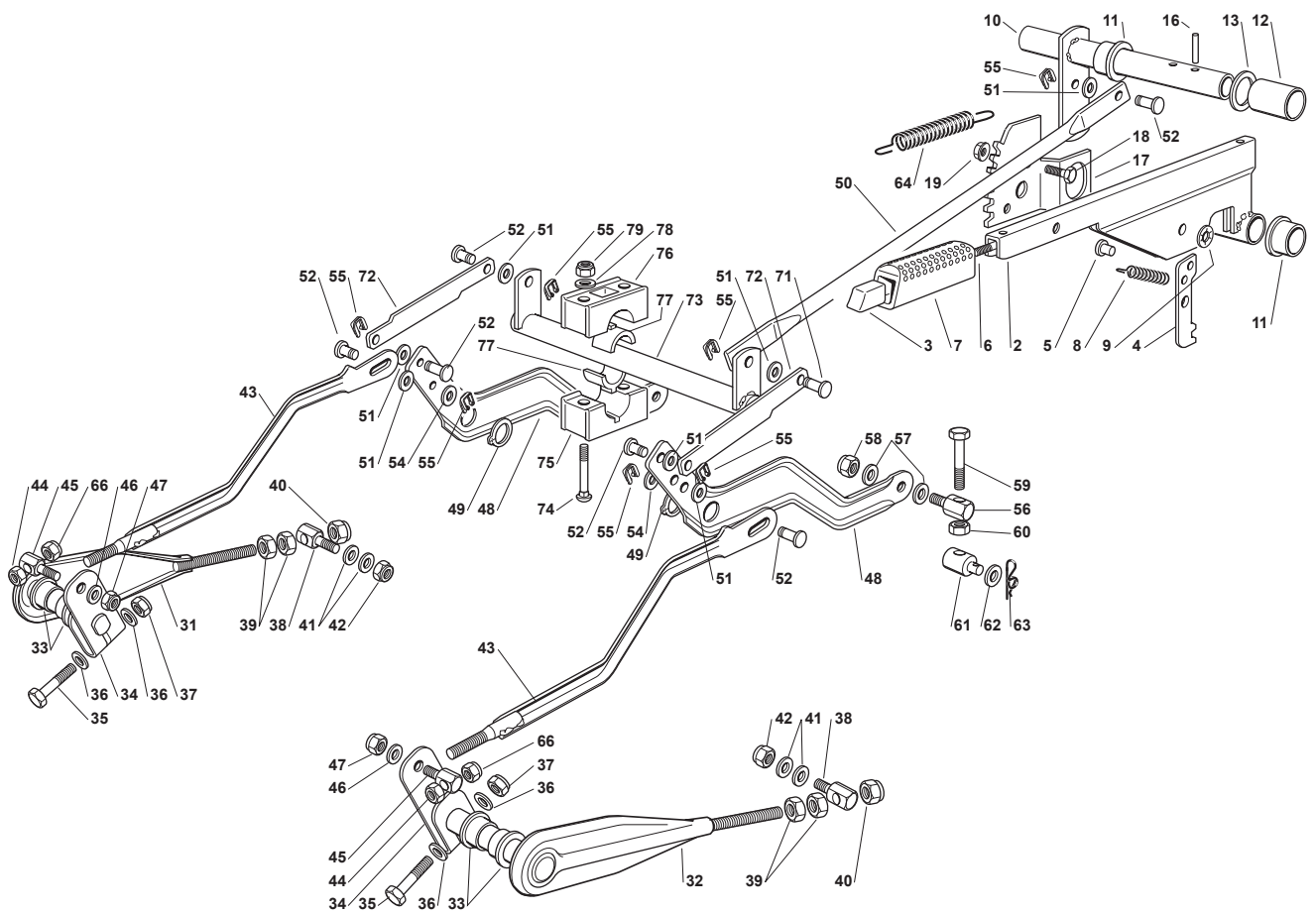


Fig.	Quantity	Part No	Description	Notes
2	1	382318139/0	Deck Lifting Lever	
3	1	125605000/1	Button	
4	1	325470901/0	Dog	
5	1	125510011/0	Pin	
6	1	125033002/0	Push Rod	
7	1	325394536/0	Knob	
8	1	125430208/0	Spring	
9	1	112604899/0	Crown Fastener	
10	1	382000551/0	Axle	
11	2	122034523/0	Bushing	
12	1	125160025/0	Spacer	
13	1	322672153/0	Antifriction Washer	
16	2	112620206/0	Pin	
17	1	325735506/1	Left Sector	
18	2	112792611/0	Screw	
19	2	112293201/0	Nut	
31	1	382318155/0	Front Right Fulcrum Lever	
32	1	382318157/0	Left Fulcrum	
33	4	125040605/0	Bushing	
34	2	325318161/0	Lever	
35	2	112691700/0	Screw	
36	4	112521350/0	Washer	
37	2	112155000/0	Nut	
38	2	125510056/0	Pin	
39	4	112295200/0	Nut	
40	2	112156602/0	Nut	
41	4	325670008/1	Washer	
42	2	112156602/0	Nut	
43	2	382000477/2	Connecting Rod Assy	
44	2	112155000/0	Nut	
45	2	125510055/1	Pin	
46	2	112521350/0	Washer	
47	2	112155000/0	Nut	
48	2	325318153/1	Rear Lever	
49	2	112609255/0	Seeger	
50	1	325033071/0	Rod	
51	7	325670011/0	Antifriction Washer	
52	7	125510117/0	Pin	
54	2	112521350/0	Washer	
55	7	112436050/0	Plate	
56	2	125510056/0	Pin	
57	4	325670008/1	Washer	
58	2	112156602/0	Nut	
59	2	112794980/0	Screw	
60	2	112295200/0	Nut	
61	2	125510070/0	Pin	
62	2	112523090/0	Washer	
63	2	124487998/0	Cotter Pin	
64	1	125430218/0	Spring	
66	2	112293200/0	Nut	
71	1	125510048/1	Pin	

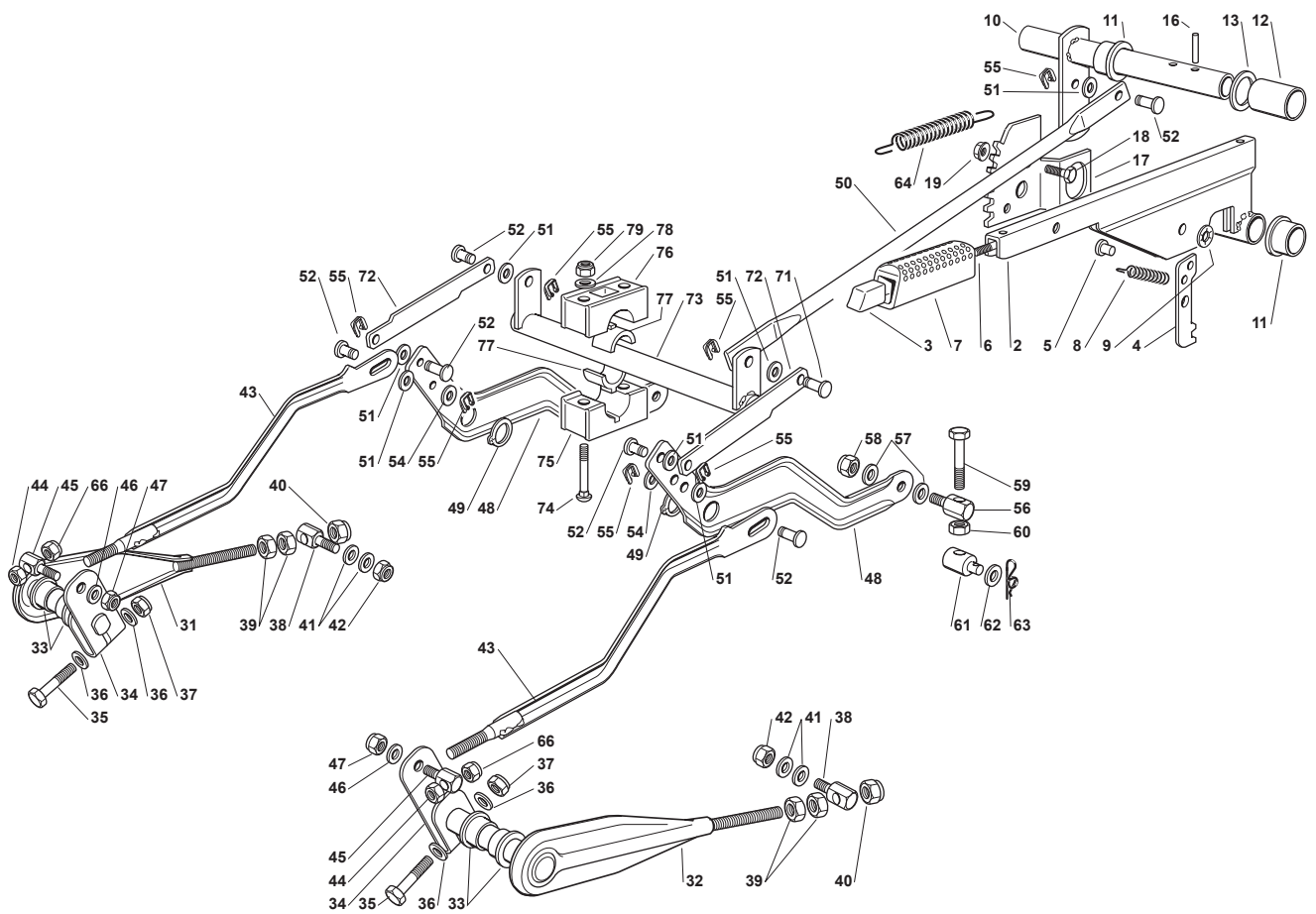


Fig.	Quantity	Part No	Description	Notes
72	2	325318223/0	Gearshift	
73	1	382000585/0	Axle	
74	4	112815271/0	Screw	
75	2	325785355/0	Support	
76	2	325785354/0	Support	
77	4	325034003/0	Brass	
78	4	112523040/0	Washer	
79	4	112154510/0	Nut	

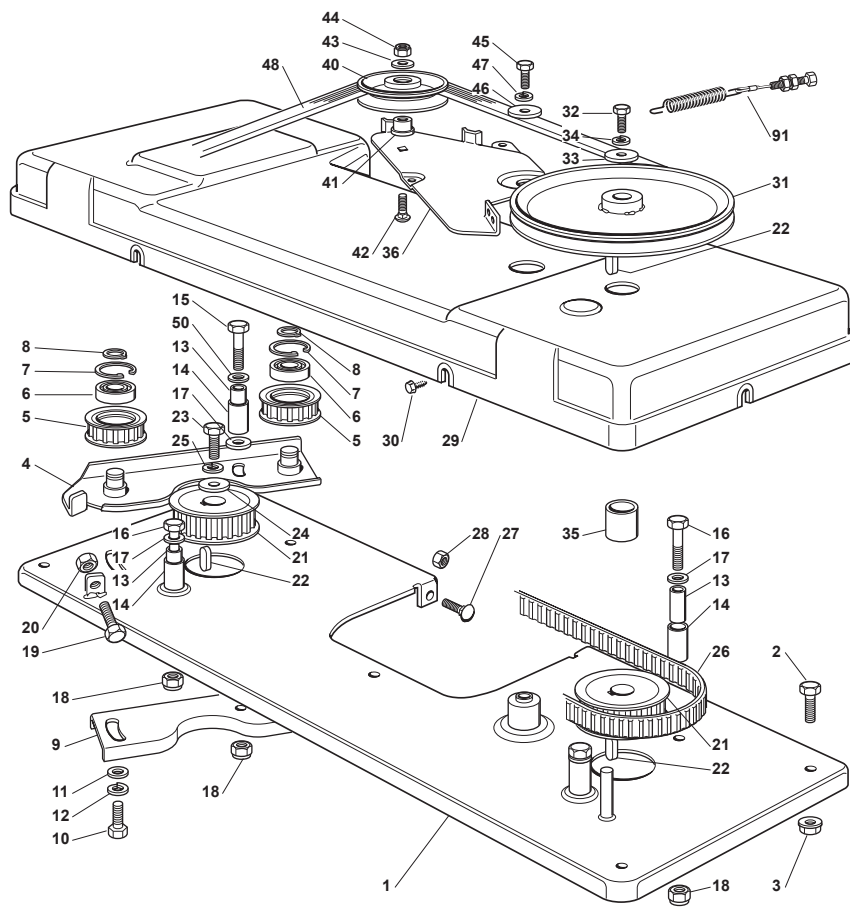


Fig.	Quantity	Part No	Description	Notes
1	1	382547029/0	Plate	
2	4	112792611/0	Screw	
3	4	112293201/0	Nut	
4	1	382785084/1	Support	
5	2	125601559/1	Toothed Pulley	
6	2	119216048/0	Bearing	
7	2	112610800/0	Seeger	
8	2	112609200/0	Seeger	
9	1	325650037/0	Pulley Stiffening	
10	2	112793102/0	Screw	
11	2	112521350/0	Washer	
12	2	112583500/0	Grower	
13	4	125160003/0	Spacer	
14	4	125038000/0	Bushing	
15	1	112691700/0	Screw	
16	3	112691200/0	Screw	
17	4	112521350/0	Washer	
18	4	112293201/0	Nut	
19	1	112793900/0	Screw	
20	1	112293200/0	Nut	
21	2	125601560/0	Pulley	
22	3	112139480/0	Feather	
23	1	112793102/0	Screw	
24	1	125670007/0	Washer	
25	1	112583500/0	Grower	
26	1	135065600/0	Belt	
27	3	112815200/0	Screw	
28	3	112292102/0	Nut	
29	1	125060100/3	Protection	
30	6	112735110/0	Screw	
31	1	125601550/0	Pulley	
32	1	112793102/0	Screw	
33	1	125670007/0	Washer	
34	1	112583500/0	Grower	
35	1	125160002/0	Spacer	
36	1	325318115/1	Lever	
40	1	325601599/0	Pulley	
41	1	125160079/0	Spacer	
42	1	112818900/0	Screw	
43	1	112523060/0	Washer	
44	1	112155000/0	Nut	
45	1	112793102/0	Screw	
46	1	112523070/0	Washer	
47	1	112583500/0	Grower	
48	1	135062811/0	Belt	
50	1	112523060/0	Washer	
91	1	182004608/0	Engagging Cable	

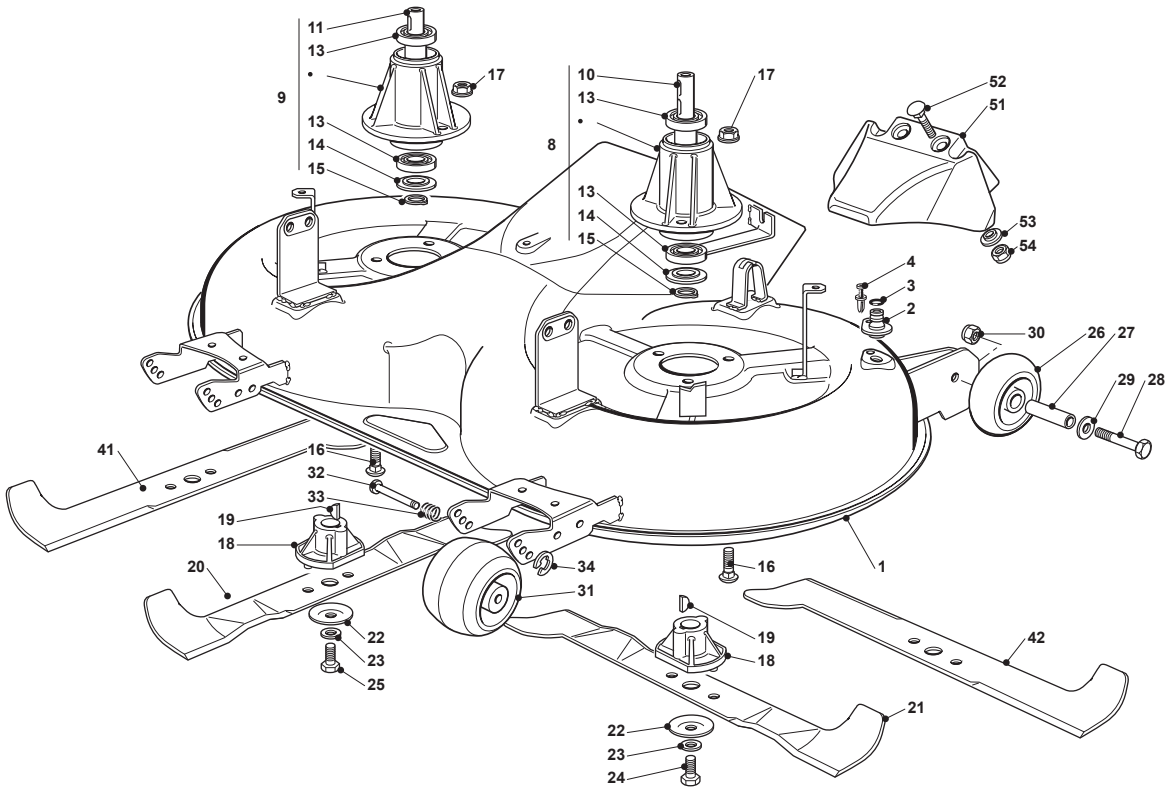


Fig.	Quantity	Part No	Description	Notes
1	1	382564131/0	Cutting Plate Black	Black
1	1	382564132/0	Cutting Plate Red	Red
1	1	382564133/0	Cutting Plate Yellow	Yellow
2	2	125033060/0	Washing Cutting Deck Connection	
3	2	119035000/0	Or Ring	
4	2	112500030/0	Rivet	
8	1	382207200/1	Flange Assy	
9	1	382207201/2	Support Shaft Tc	
10	1	125020800/1	Main Blade Shaft	
11	1	125020801/2	Secondary Blade Shaft	
13	4	119216032/0	Bearing	
14	2	325160501/0	Dust Cover Disc	
15	2	112609260/0	Seeger	
16	6	112818700/0	Screw	
17	6	112154210/0	Nut	
18	2	125463200/0	Blade Hub	
19	2	112139100/0	Feather, Crankshaft Ø 22,2	
20	1	182004348/0	Right Mulching Blade	
21	1	182004347/0	Left Blade Mulching, Winged	
22	2	122160400/0	Elastic Disc	
23	2	112523080/0	Washer	
24	1	112735694/0	Screw	
25	1	112735695/1	Screw	
26	2	182700003/0	Anti Scalp Wheel	
27	2	125510072/0	Pin	
28	2	112692050/0	Screw	
29	2	112523060/0	Washer	
30	2	112293201/0	Nut	
31	2	182700004/0	Anti Scalp Wheel	
32	2	125510121/0	Pin	
33	2	122450115/0	Spring	
34	2	112000930/0	Benzing Ring	
41	1	182004341/1	Right Blade, Winged	
42	1	182004340/1	Left Blade, Winged	
51	1	325140100/0	Deflector	
52	2	112815210/0	Screw	
53	2	125038002/1	Bushing	
54	2	112154510/0	Nut	
1	1	382564153/0	Cutting Plate Grey	

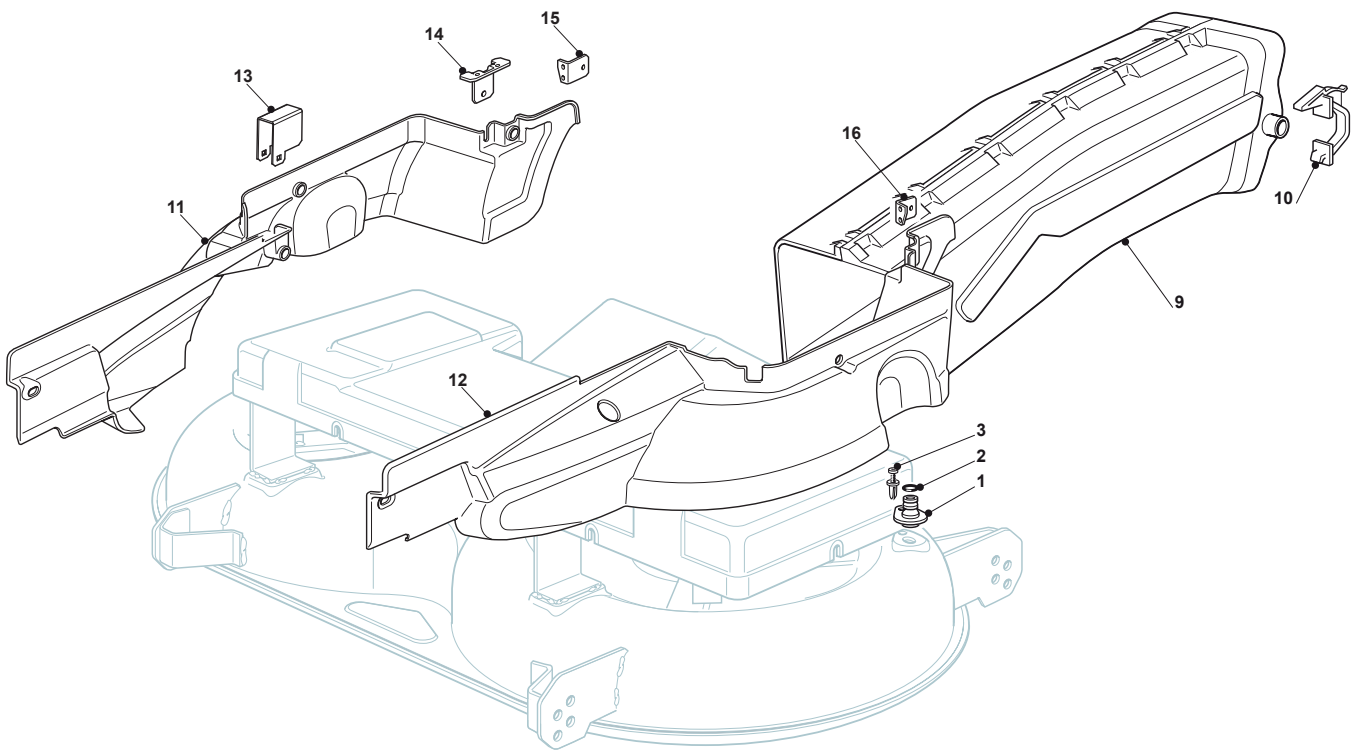


Fig.	Quantity	Part No	Description	Notes
1	2	125033060/0	Washing Cutting Deck Connection	
2	2	119035000/0	Or Ring	
3	2	112500030/0	Rivet	
9	1	382108016/1	Conveyor	
10	2	325774373/0	Clamp	
11	1	325060144/0	Right Belt Protection Carter	
12	1	325060145/0	Left Belt Protection	
13	2	325774267/0	Clamp	
14	2	325774423/0	Clamp	
15	1	325774425/0	Clamp	
16	1	325774421/0	Clamp	

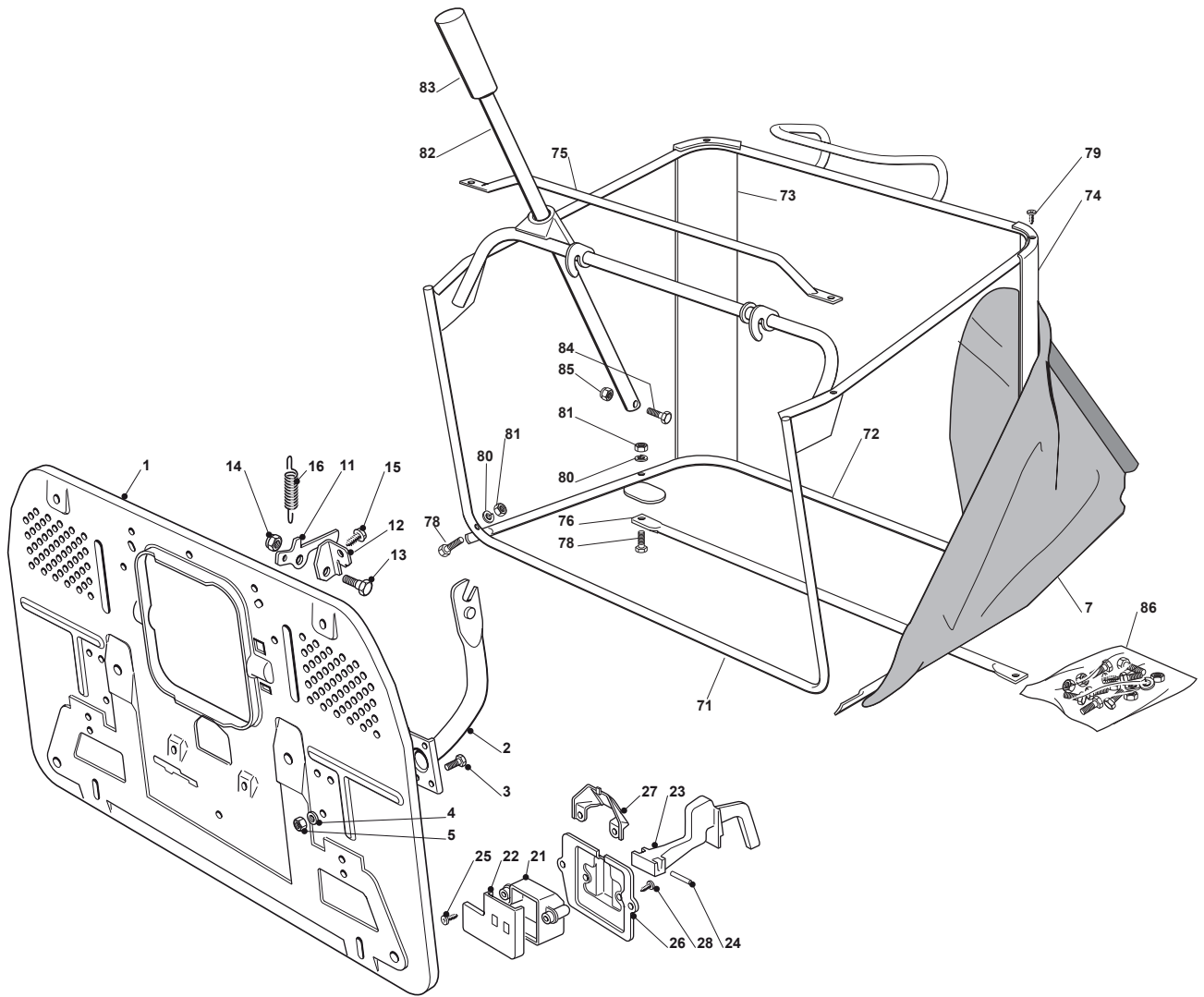


Fig.	Quantity	Part No	Description	Notes
1	1	382547051/0	Plate	
2	2	182774225/1	Clamp	
3	6	112793102/0	Screw	
4	6	112523060/0	Washer	
5	6	112293201/0	Nut	
7	1	182106000/2	Grasscatcher	
11	1	325774315/1	Bracket	
12	1	325755031/1	Bracket	
13	1	125510080/1	Pin	
14	1	112292102/0	Nut	
15	1	112735122/0	Screw	
16	1	125430210/1	Brake Spring	
21	1	125600041/0	Grassc.Full Micro Protection	
22	1	125600042/0	Grasscatcher Micro Prot Cover	
23	1	125318124/0	Full Grassc. Microswitch Cover	
24	1	112400030/0	Pin	
25	1	112728510/0	Screw	
26	1	325785272/0	Micro Protection	
27	1	125600048/0	Empty Micro Grassc.Protection Cover	
28	2	112728450/0	Screw	
71	1	382800051/0	Upper Frame	
72	1	382800002/2	Lower Grasscatcher Frame	
73	1	325032001/1	Right Angular Support	
74	1	325032002/1	Left Angular Support	
75	1	382394001/2	Front Handle	
76	1	382650038/0	Lower Stiffening	
78	4	112792099/0	Screw	
79	4	112729601/1	Screw	
80	4	112582101/0	Grower	
81	4	112292100/0	Nut	
82	1	125869029/1	Grasscatcher Lifting Tube	
83	1	125394508/0	Knob	
84	1	112792099/0	Screw	
85	1	112154510/0	Nut	
86	1	382180027/1	Outfit, Screws	

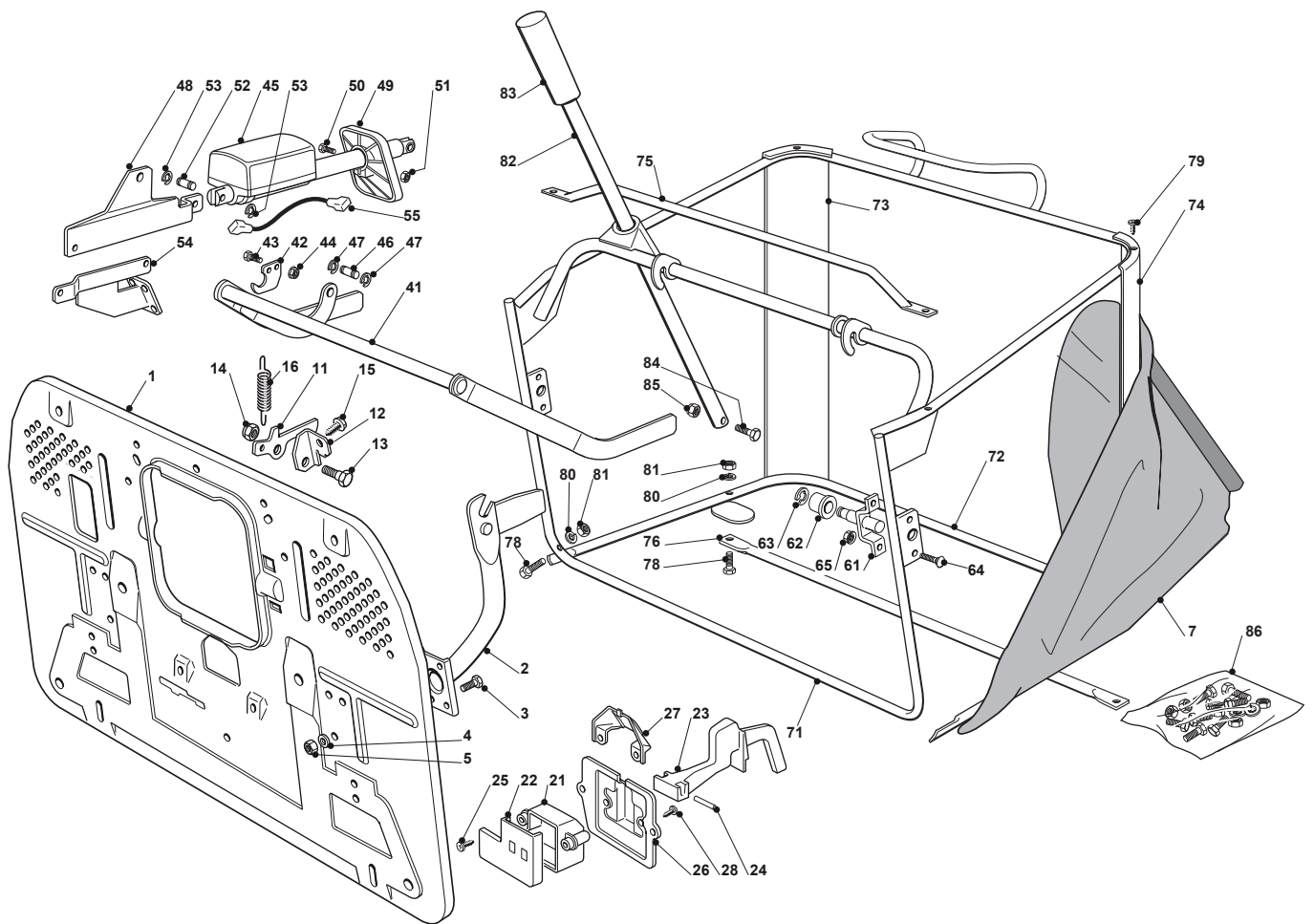


Fig.	Quantity	Part No	Description	Notes
1	1	382547053/0	Plate	
2	2	382774245/0	Support	
3	6	112793102/0	Screw	
4	6	112523060/0	Washer	
5	6	112293201/0	Nut	
7	1	182106000/2	Grasscatcher	
11	1	325774315/1	Bracket	
12	1	325755031/1	Bracket	
13	1	125510080/1	Pin	
14	1	112292102/0	Nut	
15	1	112735122/0	Screw	
16	1	125430210/1	Brake Spring	
21	1	125600041/0	Grassc.Full Micro Protection	
22	1	125600042/0	Grasscatcher Micro Prot Cover	
23	1	125318124/0	Full Grassc. Microswitch Cover	
24	1	112400030/0	Pin	
25	1	112728510/0	Screw	
26	1	325785272/0	Micro Protection	
27	1	125600048/0	Empty Micro Grassc.Protection Cover	
28	2	112728450/0	Screw	
41	1	382000507/1	Axle	
42	2	325774317/0	Grasscatcher Lifting Axle Clam	
43	4	112815210/0	Screw	
44	4	112154510/0	Nut	
45	1	118001000/0	Actuator	
46	1	125510083/0	Pin	
47	2	112000955/0	Benzing Ring	
48	1	325785197/0	Actuator Support	
49	1	325600060/0	Protection	
50	1	112727795/0	Screw	
51	1	112154330/0	Nut	
52	1	125510083/0	Pin	
53	2	112000955/0	Benzing Ring	
54	1	382650209/0	Stiffening	
55	1	125065030/0	Connecting Cable	
61	2	382785147/0	Support	
62	2	125690001/0	Roll	
63	2	112000956/0	Benzing Ring	
64	4	112818690/0	Screw	
65	4	112293201/0	Nut	
71	1	382800093/0	Upper Frame	
72	1	382800002/2	Lower Grasscatcher Frame	
73	1	325032001/1	Right Angular Support	
74	1	325032002/1	Left Angular Support	
75	1	382394001/2	Front Handle	
76	1	382650038/0	Lower Stiffening	
78	4	112792099/0	Screw	
79	4	112729601/1	Screw	
80	4	112582101/0	Grower	
81	4	112292100/0	Nut	
82	1	125869029/1	Grasscatcher Lifting Tube	

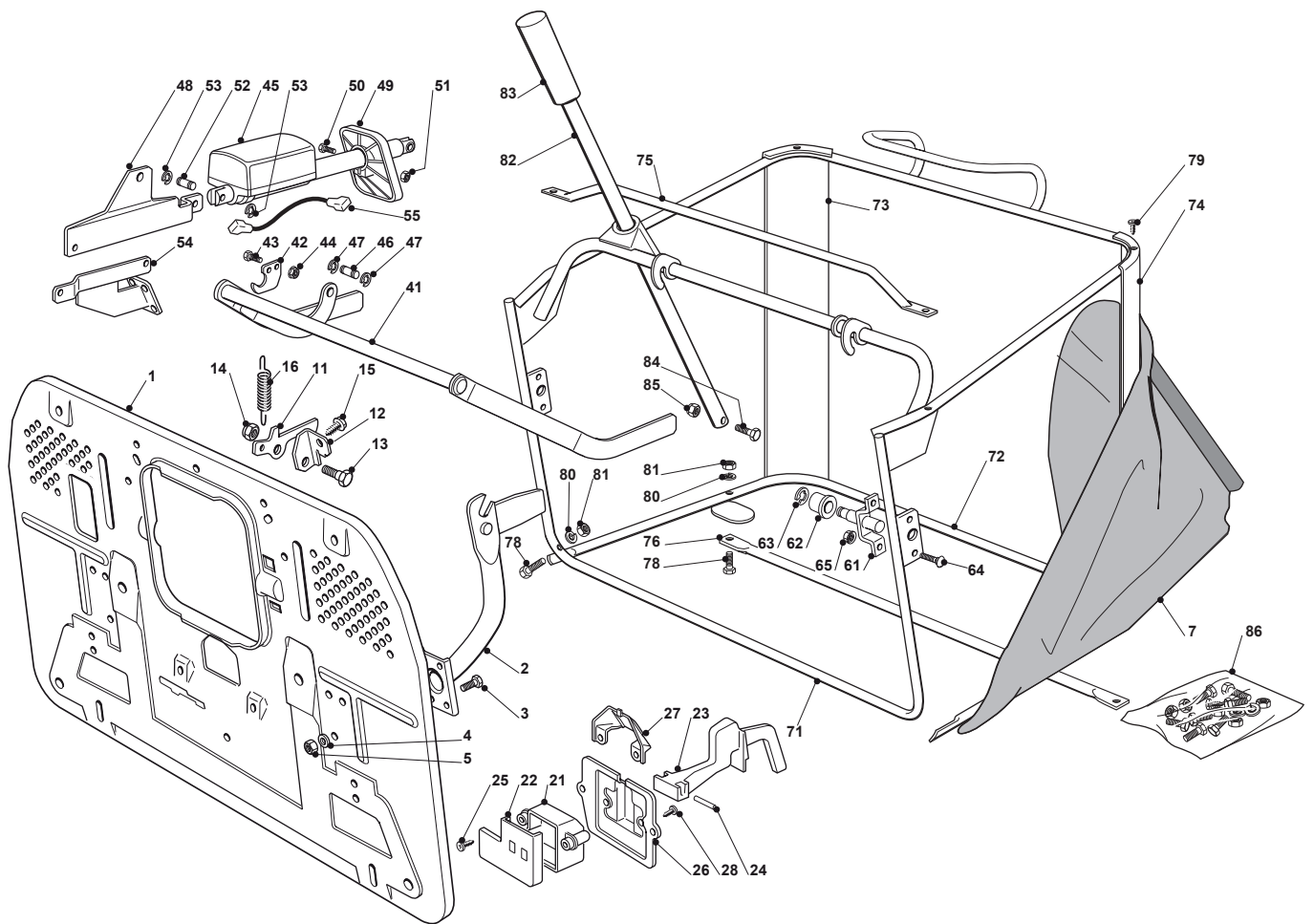


Fig.	Quantity	Part No	Description	Notes
83	1	125394508/0	Knob	
84	1	112792099/0	Screw	
85	1	112154510/0	Nut	
86	1	382180045/0	Outfit, Screws	

Fig.	Quantity	Part No	Description	Notes
1	1	125722441/0	Electronic Card	
2	3	112735105/0	Screw	
4	1	125420005/0	Check Control (B)	For B&S 20-24HP Engine
4	1	125420004/0	Check Control (A)	for B&S and GGP Engine
4	1	125420007/0	Check Control (C)	for HONDA Engines
8	1	133340040/0	Fuse 10 A	
8	1	133340036/0	Fuse 25 A	
9	2	133215000/0	Cover	
10	2	133500007/0	Fuse Carrier	
11	1	182040206/0	Cables Ass.Y	for B&S-GGP-Kohler-Kawasaki Engines
11	1	182040207/0	Cables Ass.Y	for HONDA Engines
12	1	118450065/1	Starting Switch	
13	1	118400861/0	Screwed Ring	
14	1	118565351/0	Screwed Ring Protection	
15	1	118210016/1	Starting Key	
16	1	118120002/1	Battery	
17	1	125430230/0	Spring	
31	3	119410615/0	Microswitch	
32	1	119410605/1	Microswitch	
36	1	118450060/1	Headlight Interrupt. Cre1116-0	
37	1	9400-0384-01	Hour Counter	
38	1	118450067/0	Switch	
39	1	118203852/0	Cap	
42	2	133500030/0	Lamp Holder	
43	2	118459100/0	Lamp For Lights	
46	1	133500010/1	Plate	
47	1	112735170/0	Screw	
51	5	133320506/0	Fairlead	
52	1	133320504/0	Fairlead	
54	1	118564864/1	Protection	

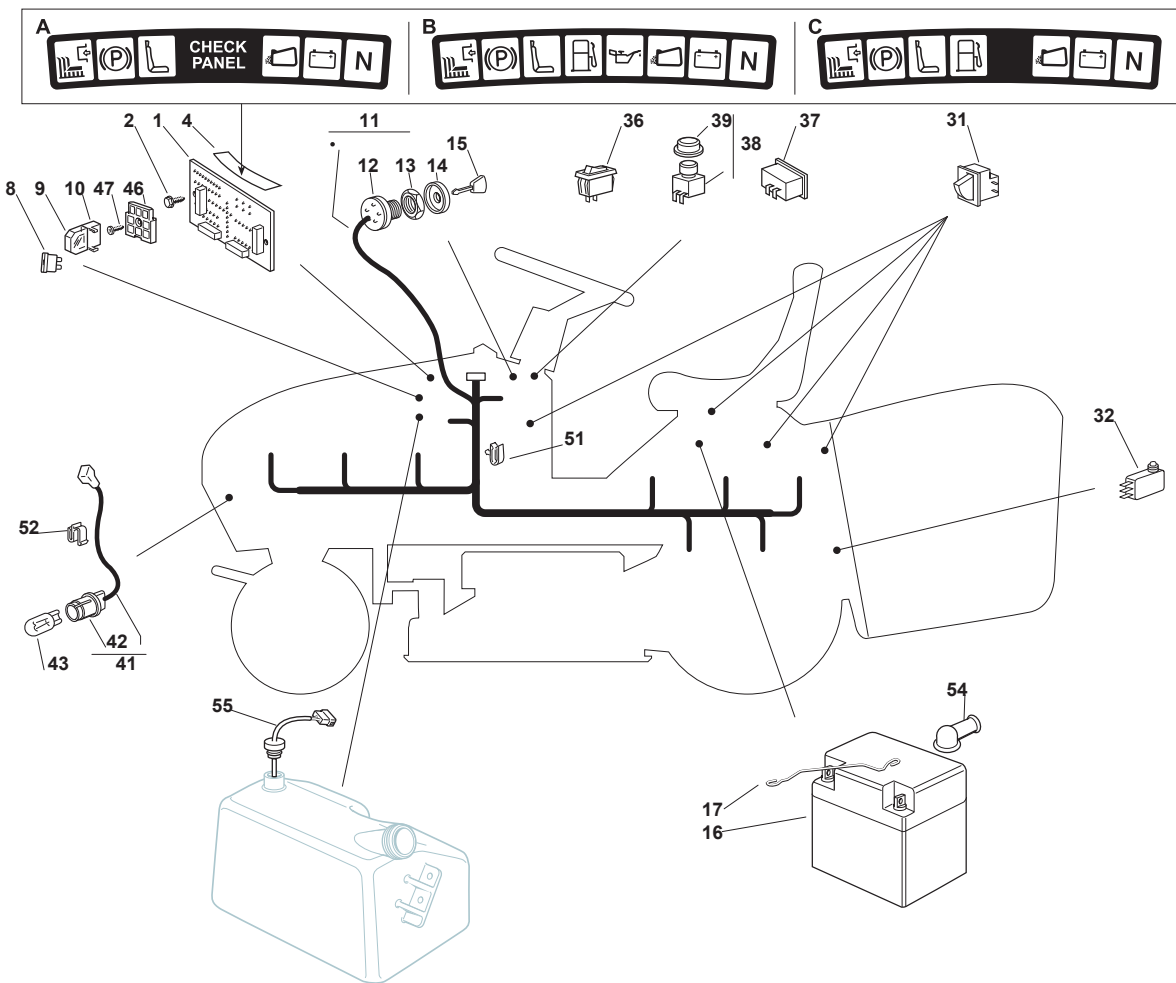


Fig.	Quantity	Part No	Description	Notes
1	1	125722441/0	Electronic Card	
2	3	112735105/0	Screw	
4	1	125420007/0	Check Control (C)	Panel "C"
4	1	125420004/0	Check Control (A)	Panel "A"
4	1	125420005/0	Check Control (B)	Panel "B"
8	1	133340036/0	Fuse 25 A	
8	1	133340040/0	Fuse 10 A	
9	2	133215000/0	Cover	
10	2	133500007/0	Fuse Carrier	
11	1	182040206/0	Cables Ass.Y	for B&S-GGP-Kohler-Kawasaki Engines
11	1	182040207/0	Cables Ass.Y	for HONDA Engine
12	1	118450065/1	Starting Switch	
13	1	118400861/0	Screwed Ring	
14	1	118565351/0	Screwed Ring Protection	
15	1	118210016/1	Starting Key	
16	1	118120002/1	Battery	
17	1	125430230/0	Spring	
31	3	119410615/0	Microswitch	
32	1	119410605/1	Microswitch	
36	1	118450060/1	Headlight Interrupt. Cre1116-0	
37	1	9400-0384-01	Hour Counter	
38	1	118450067/0	Switch	
39	1	118203852/0	Cap	
42	2	133500030/0	Lamp Holder	
43	2	118459100/0	Lamp For Lights	
46	1	133500010/1	Plate	
47	1	112735170/0	Screw	
51	5	133320506/0	Fairlead	
52	1	133320504/0	Fairlead	
54	1	118564864/1	Protection	
55	1	125290000/0	Fuel Level Indicator	

Fig.	Quantity	Part No	Description	Notes
2	1	382400003/1	Ejection Guard	
3	1	325869043/0	Rear Support	
4	2	118566112/0	Push Road	
5	2	112689515/0	Screw	
6	2	112154510/0	Nut	
7	2	125510022/0	Pin	
8	2	124487998/0	Cotter Pin	
9	1	124487999/0	Spring Pin	
22	1	125519997/1	Front Weight Tc	
23	3	112760520/0	Screw	
24	3	112155000/0	Nut	
42	1	382735502/0	Bracket	
43	1	325774213/0	Bracket	
44	1	382033105/1	Rod	
45	1	125510021/1	Hitch Pin	
46	2	124487999/0	Spring Pin	
51	1	182180050/0	Battery Charger	CE Plugg
51	1	182180052/0	Battery Charger	UK Plugg
72	1	325140097/0	Deflector	
73	1	325394005/0	Handle	
74	1	125510077/0	Pin	
75	1	125430245/0	Spring	
76	1	112735405/0	Screw	
77	1	325280000/1	Handgrip	
78	1	125840011/1	Tie Rod	
79	2	125253004/0	Mulch.Kit Fixing Hook	

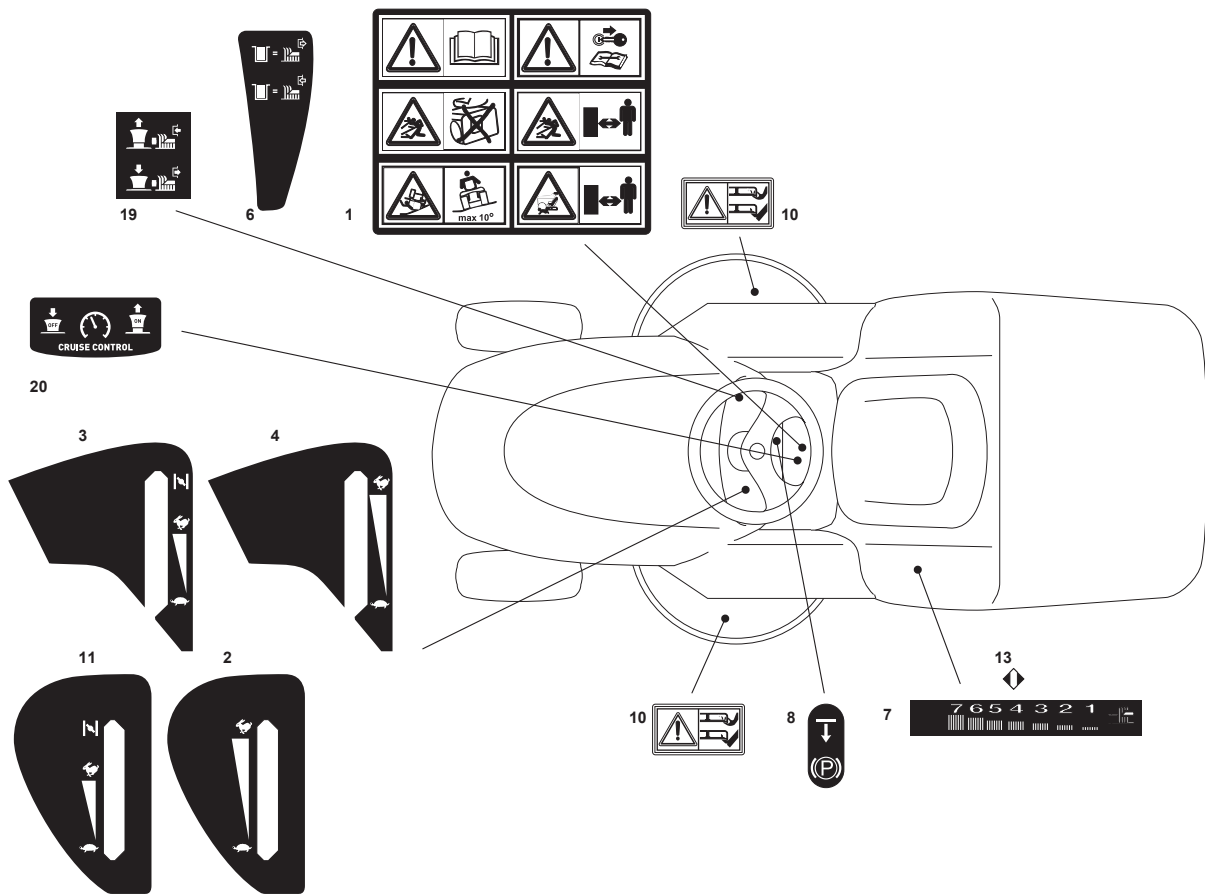


Fig.	Quantity	Part No	Description	Notes
1	1	114357428/1	Label	
2	1	114356756/2	Throttle Label	
3	1	114356177/2	Throttle Label	
4	1	114356184/3	Throttle Label	
6	1	114357967/0	Label	
7	1	114357905/0	Label	
8	1	114357526/1	Label	
10	2	114356699/1	Label	
11	1	114356754/1	Throttle Label	
13	1	114357913/0	Label	
19	1	114360912/0	Label	
20	1	114365612/0	Label	for Cruise Control models

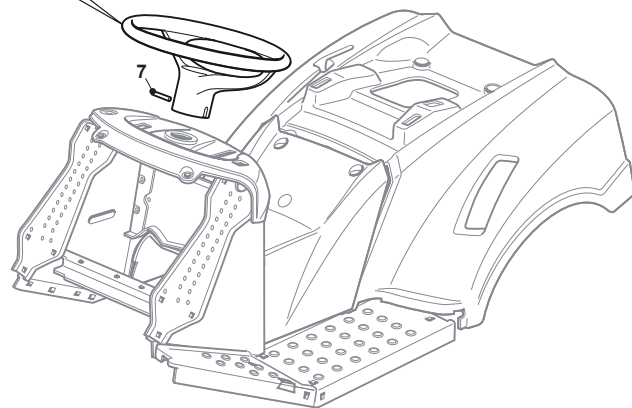
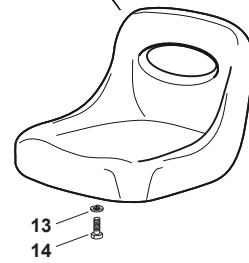
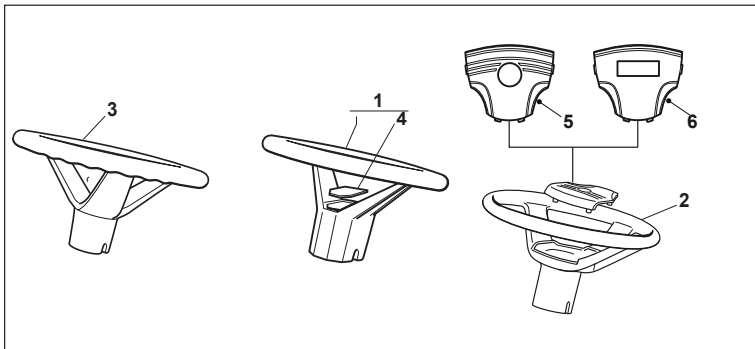
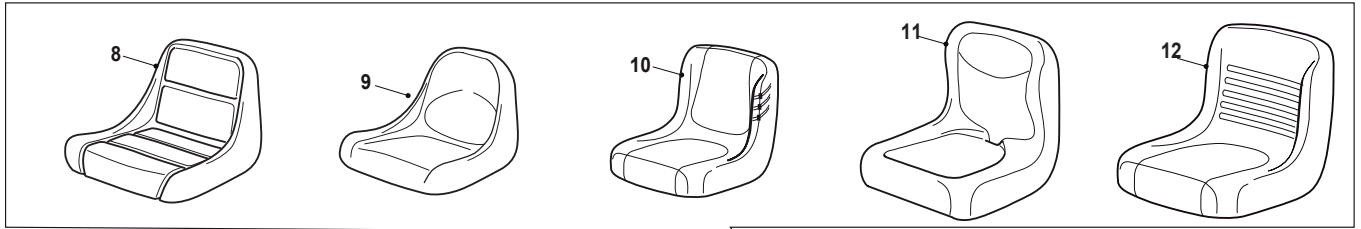


Fig.	Quantity	Part No	Description	Notes
1	1	125961213/0	Steering Wheel	Grey
2	1	125961210/1	Steering Wheel	
2	1	125961214/1	Steering Wheel	Black
2	1	125961217/1	Coated Steering Wheel Black Tc	Black Coated
3	1	125961206/0	Steering Wheel	
4	1	325120231/0	Cap	
5	1	325580500/0	Cap	
6	1	325580505/0	Cap	
6	1	325580501/0	Cap	Specific for Mountfield
7	1	112620299/0	Elastic Pin	
8	1	125722450/1	Seat	
9	1	125722451/2	Seat	
10	1	125722459/0	Seat	
11	1	125722457/0	Seat	Integral, Black
12	1	125722467/1	Seat	
12	1	125722471/0	Seat	Confort, Black
13	4	112583500/0	Grower	
14	4	112793102/0	Screw	

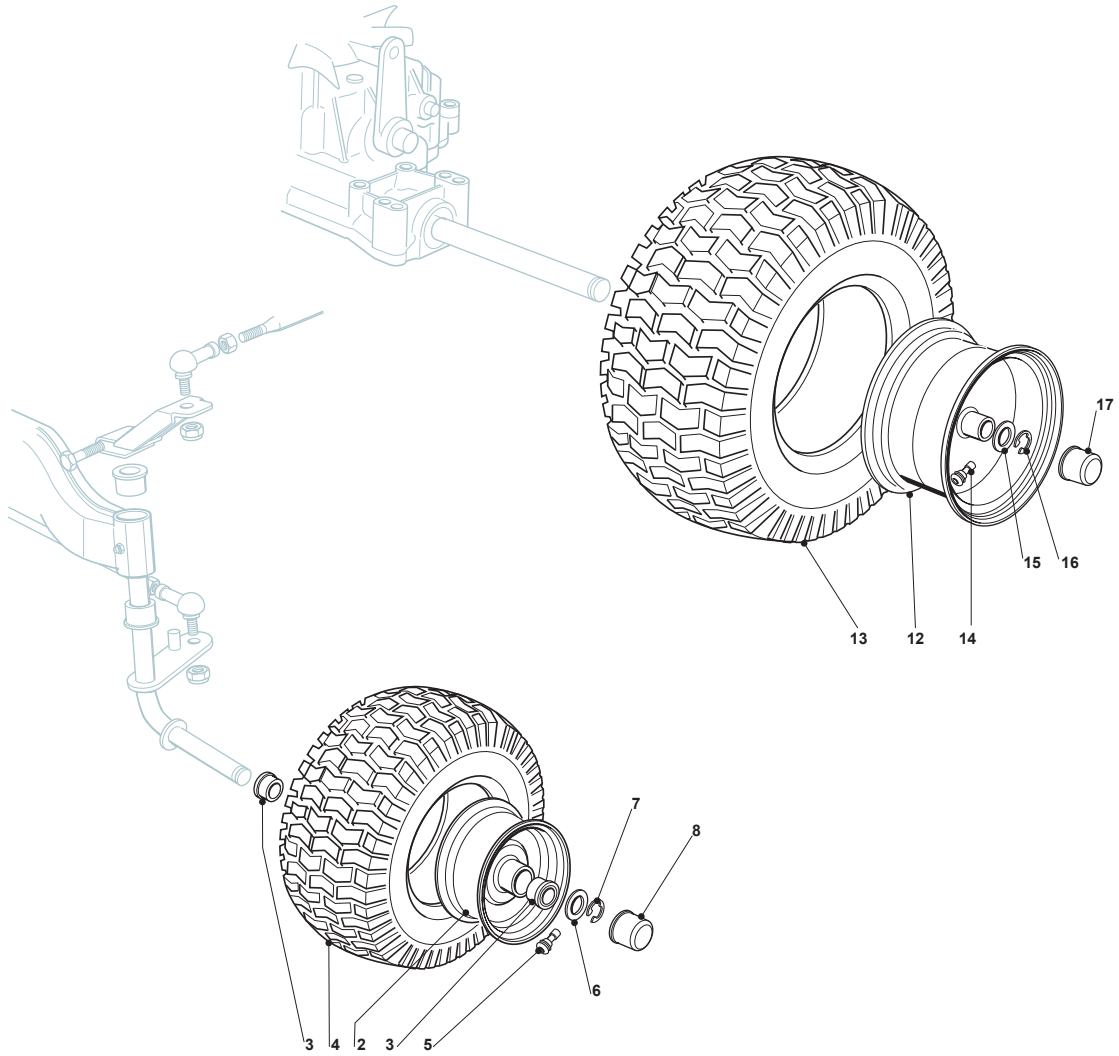


Fig.	Quantity	Part No	Description	Notes
2	2	182000598/0	Rimm	
3	4	125122200/2	Bearing	
4	2	125590014/0	Tyre	13"
4	2	127590066/0	Tyre	15"
5	2	125950000/0	Valve	
6	2	125670005/1	Washer	
7	2	112001000/0	Benzing Ring	
8	2	122110230/0	Hub Cover	
8	2	322110239/0	Hub Cover	
12	2	182000599/0	Rimm	
13	2	125590015/0	Tyre	
14	2	125950000/0	Valve	
15	2	125670005/1	Washer	
16	2	112001010/0	Benzing Ring	
17	2	322110239/0	Hub Cover	
17	2	122110230/0	Hub Cover	

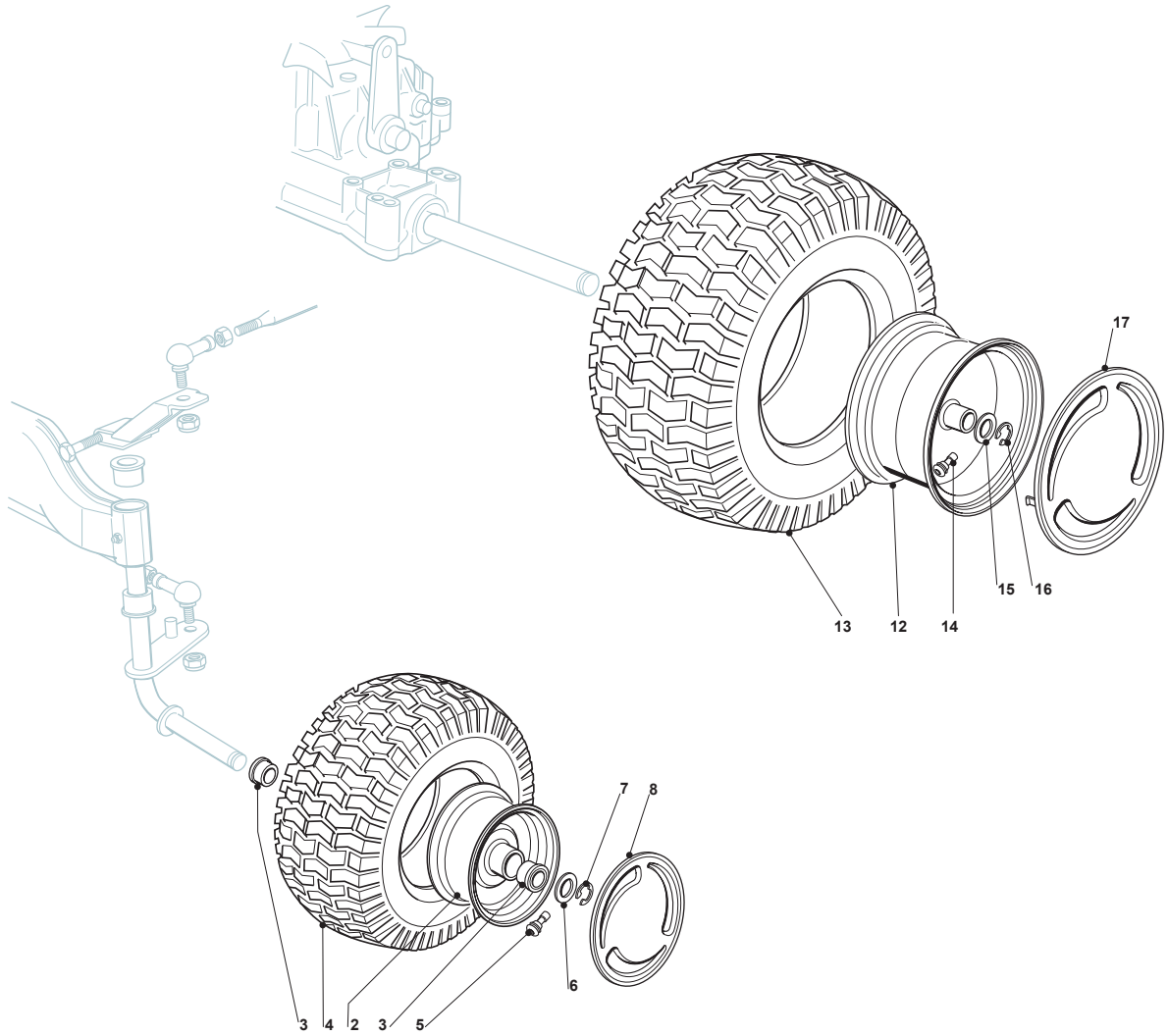


Fig.	Quantity	Part No	Description	Notes
2	2	182000598/0	Rimm	
3	4	125122200/2	Bearing	
4	2	125590014/0	Tyre	13"
4	2	127590066/0	Tyre	15"
5	2	125950000/0	Valve	
6	2	125670005/1	Washer	
7	2	112001000/0	Benzing Ring	
8	2	382110252/0	Front Wheel Cover	
12	2	182000599/0	Rimm	
13	2	125590015/0	Tyre	
14	2	125950000/0	Valve	
15	2	125670005/1	Washer	
16	2	112001010/0	Benzing Ring	
17	2	382110253/0	Wheel Cover	

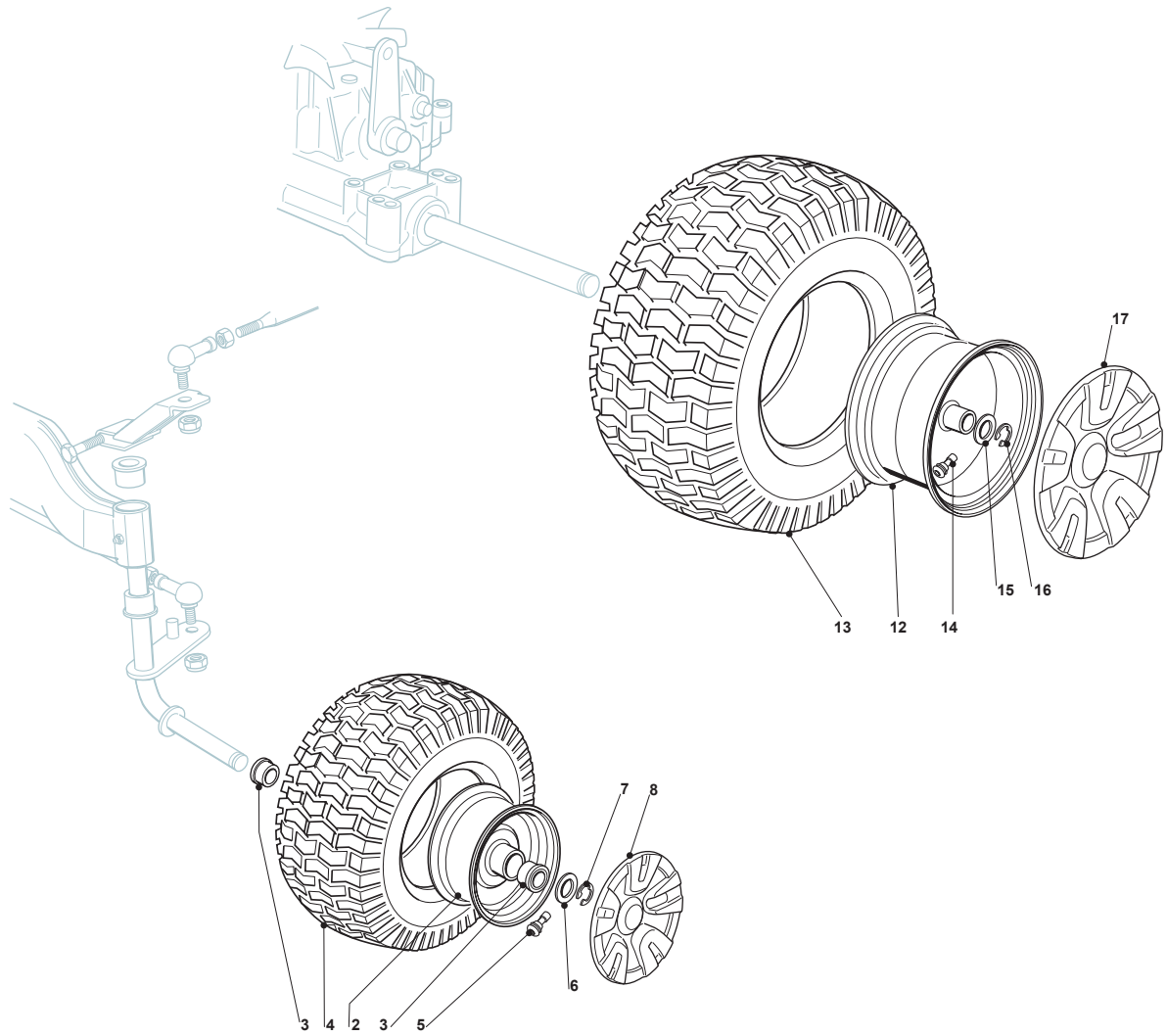


Fig.	Quantity	Part No	Description	Notes
2	2	182000598/0	Rimm	
3	4	125122200/2	Bearing	
4	2	125590014/0	Tyre	13"
4	2	127590066/0	Tyre	15"
5	2	125950000/0	Valve	
6	2	125670005/1	Washer	
7	2	112001000/0	Benzing Ring	
8	2	382110274/0	Wheel Cover	
12	2	182000599/0	Rimm	
13	2	125590015/0	Tyre	
14	2	125950000/0	Valve	
15	2	125670005/1	Washer	
16	2	112001010/0	Benzing Ring	
17	2	382110275/0	Rear Wheel Deck	

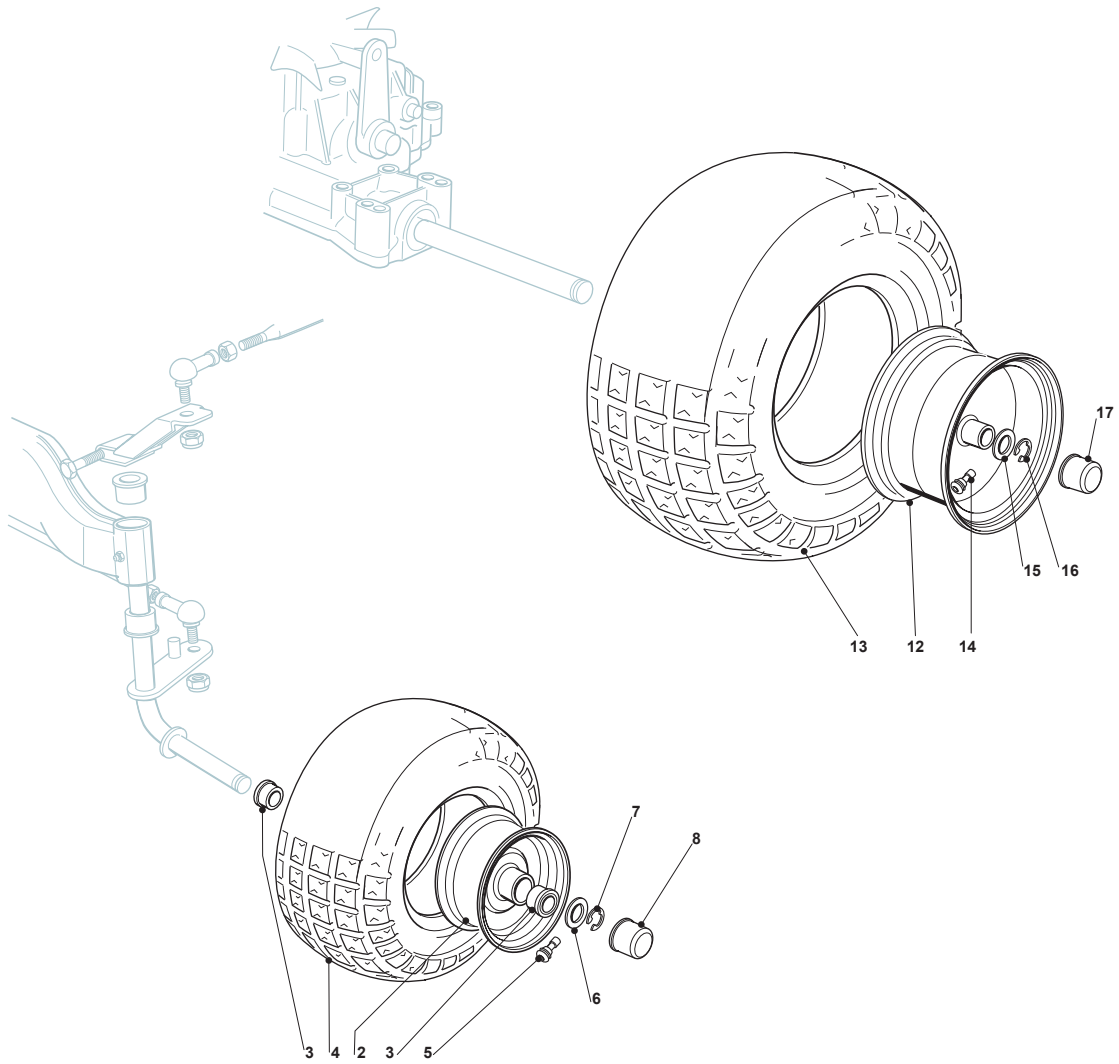


Fig.	Quantity	Part No	Description	Notes
2	2	182000590/1	Rimm	
3	4	125122200/2	Bearing	
4	2	125590020/0	Tyre	
5	2	125950000/0	Valve	
6	2	125670005/1	Washer	
7	2	112001000/0	Benzing Ring	
8	2	122110230/0	Hub Cover	Standard Black Version
8	2	322110239/0	Hub Cover	Stiga Style Vesrion
12	2	182000592/0	Rear Wheel Rimm	
13	2	125590022/0	Tyre	
14	2	125950000/0	Valve	
15	2	125670005/1	Washer	
16	2	112001010/0	Benzing Ring	
17	2	122110230/0	Hub Cover	Standard Black Version
17	2	322110239/0	Hub Cover	Stiga Style Vesrion

code	pos.	q.ty	page									
112694100/0	48	1	p. 17	112735530/0	14	2	p. 31	112793102/0	3	6	p. 61	
112714300/0	4	1	p. 13	112735530/0	15	4	p. 33	112793102/0	3	6	p. 63	
112714300/0	4	1	p. 17	112735599/0	5	1	p. 37	112793102/0	7	3	p. 3	
112726388/0	27	1	p. 45	112735599/0	8	1	p. 35	112793102/0	7	3	p. 7	
112726388/0	27	1	p. 47	112735602/0	63	2	p. 21	112793102/0	9	3	p. 45	
112726388/0	45	1	p. 29	112735661/0	43	1	p. 3	112793102/0	9	3	p. 47	
112726388/0	45	1	p. 31	112735661/0	43	1	p. 7	112793102/0	10	2	p. 55	
112726388/0	45	1	p. 33	112735694/0	24	1	p. 57	112793102/0	14	2	p. 29	
112726388/0	45	1	p. 35	112735695/1	25	1	p. 57	112793102/0	14	2	p. 35	
112726388/0	45	1	p. 37	112735821/0	17	4	p. 45	112793102/0	14	4	p. 75	
112726388/0	45	1	p. 39	112735821/0	17	4	p. 47	112793102/0	22	3	p. 45	
112726388/0	45	1	p. 41	112737320/0	2	1	p. 49	112793102/0	22	3	p. 47	
112726388/0	45	1	p. 43	112737450/0	6	2	p. 35	112793102/0	23	1	p. 55	
112726389/0	74	1	p. 27	112760520/0	23	3	p. 71	112793102/0	32	1	p. 55	
112727795/0	50	1	p. 63	112788910/0	53	2	p. 29	112793102/0	32	2	p. 31	
112727815/0	35	1	p. 23	112788910/0	53	2	p. 31	112793102/0	32	2	p. 33	
112727815/0	35	1	p. 25	112788910/0	53	2	p. 33	112793102/0	32	2	p. 37	
112728440/0	17	4	p. 11	112788910/0	53	2	p. 35	112793102/0	32	2	p. 39	
112728450/0	28	2	p. 61	112788910/0	53	2	p. 37	112793102/0	32	2	p. 41	
112728450/0	28	2	p. 63	112788910/0	53	2	p. 39	112793102/0	32	2	p. 43	
112728510/0	25	1	p. 61	112788910/0	53	2	p. 41	112793102/0	37	2	p. 3	
112728510/0	25	1	p. 63	112788910/0	53	2	p. 43	112793102/0	37	2	p. 7	
112728686/0	75	2	p. 11	112789000/0	91	1	p. 5	112793102/0	45	1	p. 55	
112729601/1	9	2	p. 13	112789000/0	91	1	p. 9	112793102/0	53	1	p. 49	
112729601/1	9	2	p. 17	112789100/0	77	1	p. 27	112793102/0	59	2	p. 21	
112729601/1	79	4	p. 61	112791011/0	15	5	p. 3	112793102/0	59	2	p. 23	
112729601/1	79	4	p. 63	112791011/0	15	5	p. 7	112793900/0	19	1	p. 55	
112731350/0	37	2	p. 11	112791011/0	18	6	p. 3	112794980/0	59	2	p. 51	
112731350/0	65	2	p. 3	112791011/0	18	6	p. 7	112815050/0	94	2	p. 5	
112731350/0	65	2	p. 7	112791011/0	23	4	p. 3	112815050/0	94	2	p. 9	
112731580/0	35	1	p. 3	112791011/0	23	4	p. 7	112815200/0	27	3	p. 55	
112731580/0	35	1	p. 7	112791011/0	62	2	p. 29	112815210/0	11	2	p. 25	
112731580/0	67	6	p. 11	112791011/0	62	2	p. 31	112815210/0	22	2	p. 21	
112731580/0	82	1	p. 3	112791011/0	62	2	p. 33	112815210/0	22	2	p. 23	
112731580/0	82	1	p. 7	112791011/0	62	2	p. 35	112815210/0	22	2	p. 25	
112731580/0	106	4	p. 11	112791011/0	62	2	p. 41	112815210/0	43	4	p. 63	
112731601/0	4	4	p. 21	112791011/0	62	2	p. 43	112815210/0	52	2	p. 57	
112731601/0	4	4	p. 23	112791213/1	17	4	p. 13	112815210/0	62	2	p. 25	
112731601/0	4	4	p. 25	112791213/1	17	4	p. 17	112815245/0	11	4	p. 3	
112734995/0	103	4	p. 11	112791400/0	17	3	p. 33	112815245/0	11	4	p. 7	
112735105/0	2	3	p. 67	112791400/0	81	2	p. 27	112815271/0	46	4	p. 21	
112735105/0	2	3	p. 69	112791500/0	62	2	p. 37	112815271/0	46	4	p. 23	
112735108/0	8	3	p. 43	112791500/0	62	2	p. 39	112815271/0	46	4	p. 25	
112735108/1	4	3	p. 41	112792099/0	78	4	p. 61	112815271/0	74	4	p. 53	
112735108/1	7	4	p. 35	112792099/0	78	4	p. 63	112818690/0	64	4	p. 63	
112735110/0	14	2	p. 11	112792099/0	84	1	p. 61	112818700/0	16	6	p. 57	
112735110/0	15	4	p. 11	112792099/0	84	1	p. 65	112818900/0	42	1	p. 55	
112735110/0	30	6	p. 55	112792611/0	2	4	p. 55	114356177/2	3	1	p. 73	
112735110/0	66	2	p. 21	112792611/0	14	2	p. 45	114356184/3	4	1	p. 73	
112735110/0	98	2	p. 5	112792611/0	14	2	p. 47	114356699/1	10	2	p. 73	
112735110/0	98	2	p. 9	112792611/0	18	1	p. 45	114356754/1	11	1	p. 73	
112735120/0	49	2	p. 49	112792611/0	18	1	p. 47	114356756/2	2	1	p. 73	
112735122/0	15	1	p. 61	112792611/0	18	2	p. 51	114357423/2	59	1	p. 49	
112735122/0	15	1	p. 63	112792611/0	19	2	p. 29	114357428/1	1	1	p. 73	
112735170/0	47	1	p. 67	112792611/0	19	2	p. 35	114357526/1	8	1	p. 73	
112735170/0	47	1	p. 69	112792611/0	36	2	p. 31	114357905/0	7	1	p. 73	
112735402/0	72	4	p. 11	112792611/0	36	2	p. 33	114357913/0	13	1	p. 73	
112735403/0	69	7	p. 11	112792611/0	36	2	p. 37	114357967/0	6	1	p. 73	
112735403/0	86	4	p. 11	112792611/0	36	2	p. 41	114360912/0	19	1	p. 73	
112735404/0	58	1	p. 21	112792611/0	36	2	p. 43	114365612/0	20	1	p. 73	
112735404/0	58	1	p. 23	112792611/0	37	2	p. 39	118001000/0	45	1	p. 63	
112735405/0	76	1	p. 71	112792611/0	50	1	p. 49	118120002/1	16	1	p. 67	
112735530/0	6	2	p. 29	112792611/0	62	4	p. 3	118120002/1	16	1	p. 69	
112735530/0	12	2	p. 41	112792611/0	62	4	p. 7	118203852/0	39	1	p. 67	
				112792611/0	78	2	p. 3	118203852/0	39	1	p. 69	
				112792611/0	78	2	p. 7	118210016/1	15	1	p. 67	

code	pos.	q.ty	page									
182040206/0	11	1	p. 69	325110450/0	61	1	p. 11	325670011/0	27	1	p. 23	
182040207/0	11	1	p. 67	325120231/0	4	1	p. 75	325670011/0	27	1	p. 25	
182040207/0	11	1	p. 69	325120233/0	49	1	p. 11	325670011/0	51	7	p. 51	
182106000/2	7	1	p. 61	325120234/0	20	1	p. 11	325670011/0	55	1	p. 49	
182106000/2	7	1	p. 63	325120254/0	16	1	p. 11	325670025/0	77	2	p. 49	
182180050/0	51	1	p. 71	325140097/0	72	1	p. 71	325735111/3	51	1	p. 31	
182180052/0	51	1	p. 71	325140100/0	51	1	p. 57	325735111/3	51	1	p. 33	
182700003/0	26	2	p. 57	325150000/0	16	2	p. 13	325735111/3	51	1	p. 35	
182700004/0	31	2	p. 57	325150000/0	16	2	p. 17	325735111/3	51	1	p. 37	
182750003/0	31	1	p. 37	325160501/0	14	2	p. 57	325735111/3	51	1	p. 39	
182750003/0	31	1	p. 43	325207129/0	76	1	p. 11	325735111/3	51	1	p. 41	
182750003/0	34	1	p. 39	325253001/0	25	1	p. 21	325735111/3	51	1	p. 43	
182750010/0	16	1	p. 29	325253001/0	25	1	p. 23	325735506/1	17	1	p. 51	
182750010/0	16	1	p. 35	325253001/0	25	1	p. 25	325735523/0	15	1	p. 13	
182750010/0	31	1	p. 31	325256250/0	91	1	p. 11	325735523/0	15	1	p. 17	
182750010/0	31	1	p. 41	325280000/1	77	1	p. 71	325737002/0	54	2	p. 11	
182750011/0	31	1	p. 33	325318109/1	86	1	p. 5	325743000/0	5	1	p. 13	
182750014/0	11	1	p. 45	325318115/1	36	1	p. 55	325743000/0	5	1	p. 17	
182750014/0	11	1	p. 47	325318153/1	48	2	p. 51	325755025/1	97	1	p. 5	
182774225/1	2	2	p. 61	325318157/0	52	1	p. 49	325755025/1	97	1	p. 9	
322110239/0	8	2	p. 77	325318161/0	34	2	p. 51	325755031/1	12	1	p. 61	
322110239/0	8	2	p. 83	325318223/0	72	2	p. 53	325755031/1	12	1	p. 63	
322110239/0	17	2	p. 77	325318303/0	86	1	p. 9	325755071/0	79	2	p. 27	
322110239/0	17	2	p. 83	325318327/0	40	1	p. 3	325774213/0	43	1	p. 71	
322394505/0	70	1	p. 7	325318327/0	40	1	p. 7	325774267/0	13	2	p. 59	
322672152/0	68	1	p. 25	325394005/0	73	1	p. 71	325774273/1	5	2	p. 3	
322672153/0	13	1	p. 51	325394009/0	84	1	p. 11	325774273/1	5	2	p. 7	
322672153/0	25	2	p. 13	325394536/0	7	1	p. 51	325774315/1	11	1	p. 61	
322672153/0	25	2	p. 17	325410891/0	2	1	p. 11	325774315/1	11	1	p. 63	
325022000/1	65	1	p. 25	325410892/0	3	1	p. 11	325774317/0	42	2	p. 63	
325032001/1	73	1	p. 61	325430255/0	100	1	p. 5	325774373/0	10	2	p. 59	
325032001/1	73	1	p. 63	325430255/0	100	1	p. 9	325774421/0	16	1	p. 59	
325032002/1	74	1	p. 61	325470901/0	4	1	p. 51	325774423/0	14	2	p. 59	
325032002/1	74	1	p. 63	325547081/2	3	1	p. 21	325774425/0	15	1	p. 59	
325033071/0	50	1	p. 51	325547081/2	3	1	p. 23	325774453/0	19	1	p. 13	
325034003/0	45	4	p. 21	325547081/2	3	1	p. 25	325774453/0	19	1	p. 17	
325034003/0	45	4	p. 23	325547109/2	104	2	p. 11	325774477/0	61	1	p. 25	
325034003/0	45	4	p. 25	325547281/1	10	1	p. 25	325774575/0	39	1	p. 3	
325034003/0	77	4	p. 53	325580500/0	5	1	p. 75	325774575/0	39	1	p. 7	
325038004/0	1	1	p. 13	325580501/0	6	1	p. 75	325785133/5	14	1	p. 3	
325038004/0	1	1	p. 17	325580505/0	6	1	p. 75	325785133/5	14	1	p. 7	
325060034/1	57	1	p. 21	325592000/0	26	1	p. 45	325785137/1	22	1	p. 3	
325060034/1	57	1	p. 23	325592000/0	26	1	p. 47	325785137/1	22	1	p. 7	
325060049/0	93	1	p. 5	325592000/0	44	1	p. 29	325785143/1	21	1	p. 21	
325060049/0	93	1	p. 9	325592000/0	44	1	p. 31	325785143/1	21	1	p. 23	
325060050/0	76	1	p. 27	325592000/0	44	1	p. 33	325785143/1	21	1	p. 25	
325060144/0	11	1	p. 59	325592001/0	33	1	p. 23	325785147/2	85	1	p. 5	
325060145/0	12	1	p. 59	325592001/0	33	1	p. 25	325785147/2	85	1	p. 9	
325076940/0	4	1	p. 11	325592002/0	34	1	p. 23	325785149/3	80	1	p. 3	
325109757/0	74	1	p. 11	325592002/0	34	1	p. 25	325785149/3	80	1	p. 7	
325109758/0	73	1	p. 11	325599004/0	65	1	p. 11	325785197/0	48	1	p. 63	
325109788/0	71	1	p. 11	325599005/0	66	1	p. 11	325785213/1	8	1	p. 13	
325110278/1	63	1	p. 11	325600060/0	49	1	p. 63	325785213/1	8	1	p. 17	
325110279/0	64	1	p. 11	325601570/1	21	2	p. 49	325785229/1	68	1	p. 11	
325110416/0	2	1	p. 21	325601599/0	17	1	p. 49	325785272/0	26	1	p. 61	
325110416/0	2	1	p. 23	325601599/0	40	1	p. 55	325785272/0	26	1	p. 63	
325110416/0	2	1	p. 25	325605002/0	73	1	p. 27	325785354/0	44	4	p. 21	
325110417/0	42	1	p. 21	325605003/0	90	1	p. 11	325785354/0	44	4	p. 23	
325110417/0	42	1	p. 23	325650037/0	9	1	p. 55	325785354/0	44	4	p. 25	
325110417/0	42	1	p. 25	325650065/0	17	2	p. 3	325785354/0	76	2	p. 53	
325110418/0	43	1	p. 21	325650065/0	17	2	p. 7	325785355/0	75	2	p. 53	
325110418/0	43	1	p. 23	325650067/0	20	1	p. 3	325785479/0	80	1	p. 27	
325110418/0	43	1	p. 25	325650067/0	20	1	p. 7	325785481/0	56	1	p. 21	
325110449/0	81	1	p. 11	325670008/1	41	4	p. 51	325785481/0	56	1	p. 23	
				325670008/1	57	4	p. 51	325840001/0	40	1	p. 13	
				325670011/0	27	1	p. 21	325840001/0	40	1	p. 17	

code	pos.	q.ty	page				
325869016/1	2	1	p. 29	382564153/0	1	1	p. 57
325869016/1	2	1	p. 31	382598005/2	35	1	p. 33
325869016/1	2	1	p. 33	382598005/2	35	1	p. 37
325869016/1	2	1	p. 41	382598009/2	18	1	p. 29
325869016/1	2	1	p. 43	382598009/2	35	1	p. 31
325869027/1	2	1	p. 37	382598013/1	35	1	p. 43
325869033/1	2	1	p. 39	382598029/0	35	1	p. 41
325869043/0	3	1	p. 71	382598039/0	18	1	p. 35
325869057/0	2	1	p. 35	382598051/0	36	1	p. 39
382000389/1	41	1	p. 25	382598065/0	13	1	p. 45
382000391/1	41	1	p. 21	382598065/0	13	1	p. 47
382000391/1	41	1	p. 23	382650038/0	76	1	p. 61
382000477/2	43	2	p. 51	382650038/0	76	1	p. 63
382000507/1	41	1	p. 63	382650045/0	61	1	p. 3
382000551/0	10	1	p. 51	382650045/0	61	1	p. 7
382000579/0	50	1	p. 21	382650209/0	54	1	p. 63
382000579/0	50	1	p. 23	382735502/0	42	1	p. 71
382000579/0	50	1	p. 25	382774207/0	77	1	p. 3
382000582/0	5	1	p. 21	382774207/0	77	1	p. 7
382000582/0	5	1	p. 23	382774245/0	2	2	p. 63
382000585/0	73	1	p. 53	382785021/8	12	1	p. 11
382000626/0	5	1	p. 25	382785022/9	11	1	p. 11
382033105/1	44	1	p. 71	382785084/1	4	1	p. 55
382034001/3	35	1	p. 13	382785109/0	45	1	p. 49
382034001/3	35	1	p. 17	382785137/0	13	1	p. 11
382076970/1	1	1	p. 11	382785147/0	61	2	p. 63
382108016/1	9	1	p. 59	382800002/2	72	1	p. 61
382110252/0	8	2	p. 79	382800002/2	72	1	p. 63
382110253/0	17	2	p. 79	382800051/0	71	1	p. 61
382110254/0	82	1	p. 11	382800093/0	71	1	p. 63
382110258/0	85	1	p. 11	382869025/0	101	1	p. 11
382110274/0	8	2	p. 81				
382110275/0	17	2	p. 81				
382180027/1	86	1	p. 61				
382180045/0	86	1	p. 65				
382207200/1	8	1	p. 57				
382207201/2	9	1	p. 57				
382230348/0	39	1	p. 13				
382230349/0	38	1	p. 13				
382230359/0	39	1	p. 17				
382230361/0	38	1	p. 17				
382318101/0	43	1	p. 13				
382318139/0	2	1	p. 51				
382318155/0	31	1	p. 51				
382318157/0	32	1	p. 51				
382318165/1	5	1	p. 49				
382318185/0	43	1	p. 17				
382394001/2	75	1	p. 61				
382394001/2	75	1	p. 63				
382394853/0	61	1	p. 21				
382400003/1	2	1	p. 71				
382500011/2	1	1	p. 21				
382500011/2	1	1	p. 23				
382500011/2	1	1	p. 25				
382510041/2	9	1	p. 3				
382510041/2	9	1	p. 7				
382510043/2	10	1	p. 3				
382510043/2	10	1	p. 7				
382547029/0	1	1	p. 55				
382547051/0	1	1	p. 61				
382547053/0	1	1	p. 63				
382564131/0	1	1	p. 57				
382564132/0	1	1	p. 57				
382564133/0	1	1	p. 57				